

COOKOLOGY

BUCH520SS&BUCH750S
S&BUCH900SS
Instruction manual

CONTENT

- 1..... General
- 2..... Safety precaution
- 3..... Warning
- 4..... Specifications
- 5..... Installation
- 6..... Operation
- 7..... Maintenance
- 8..... Abnormity and Solution

1. General

Carefully read the following important information regarding installation, safety and maintenance. Keep this information booklet accessible for further consultations.

The appliance has been designed as a exhausting version (external exhaust) or as a filter version (internal air recycle) cooker hood.

2. Safety precaution

Take care when the cooker hood is operating simultaneously with an open fireplace or burner that depend on the environment and are supplied by other than electrical energy, as the cooker hood removes the air from the environment which a burner or fireplace need for combustion.

The negative pressure in the environment must not exceed 4 Pa (4*10⁻⁵ bar).

Provide adequate ventilation in the environment for a safe operation of the cooker hood.

Follow the local laws applicable for external air evacuation.

3. Warning

This appliance can be used by children aged from 8 years and above and persons with reduced physical, sensory or mental capabilities or lack of experience and knowledge if they have been given supervision or instruction concerning use of the appliance in a safe way and understand the hazards involved. Children shall not play with the appliance. Cleaning and user maintenance shall not be made by children without supervision

If the supply cord is damaged, it must be replaced by the manufacturer, its service agent or similarly qualified persons in order to avoid a hazard.

The instructions shall state the substance of the following:

– there shall be adequate ventilation of the room when the range hood is used at the same time as appliances

burning gas or other fuels (not applicable to appliances that only discharge the air back into the room);

– the details concerning the method and frequency of cleaning;

– there is a fire risk if cleaning is not carried out in accordance with the instructions;

– do not flambé under the range hood;

– CAUTION: Accessible parts may become hot when used with cooking appliances.

The installation instructions shall include the substance of the following:

– the air must not be discharged into a flue that is used for exhausting fumes from appliances burning gas or other fuels (not applicable to appliances that only discharge the air back into the room);

– the minimum distance between the supporting surface for the cooking vessels on the hob and the lowest part of the range hood. (When the range hood is located above a gas appliance, this distance shall be at least 65 cm.

– regulations concerning the discharge of air have to be fulfilled.

The installation instructions for range hoods with accessible metallic enclosures of class II construction shall include details that indicate the location and maximum permitted lengths for any fixing or mounting

screw or other fixing device that penetrates into the range hood to attach an accessory such as a fascia or duct fitting.

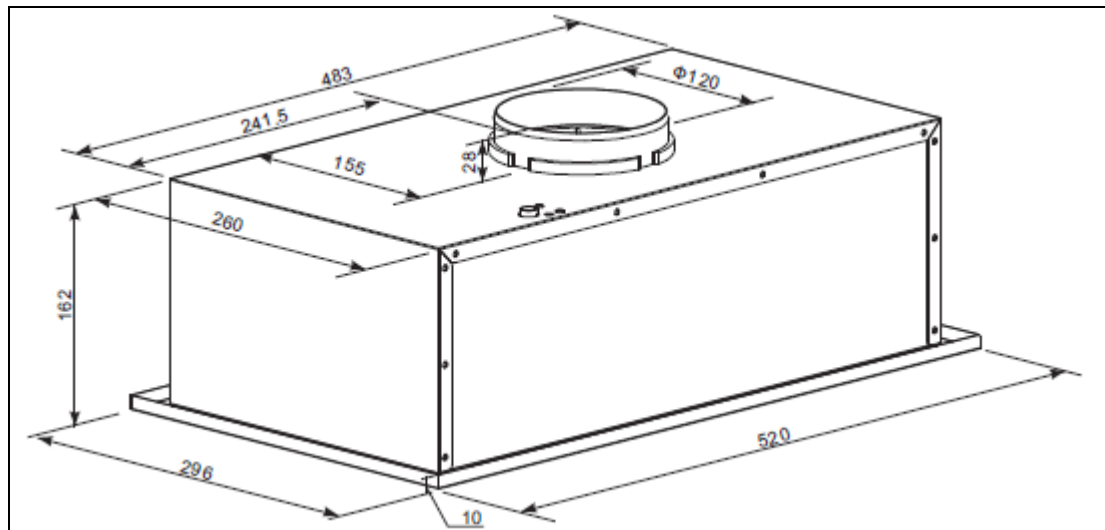
Where fixing or mounting screws, or other fixing devices are used, that penetrate into the range hood with an accessible metallic enclosure of class II construction, to

attach an accessory, the instructions shall indicate the required location of these screws or fixing devices and include the substance of the following warning.

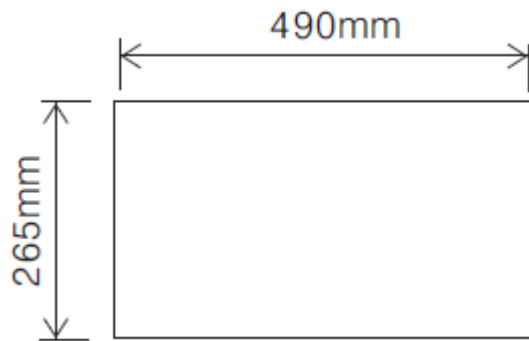
Warning: Failure to install the screws or fixing device in accordance with these instructions may result in electrical hazards.

4. Specifications

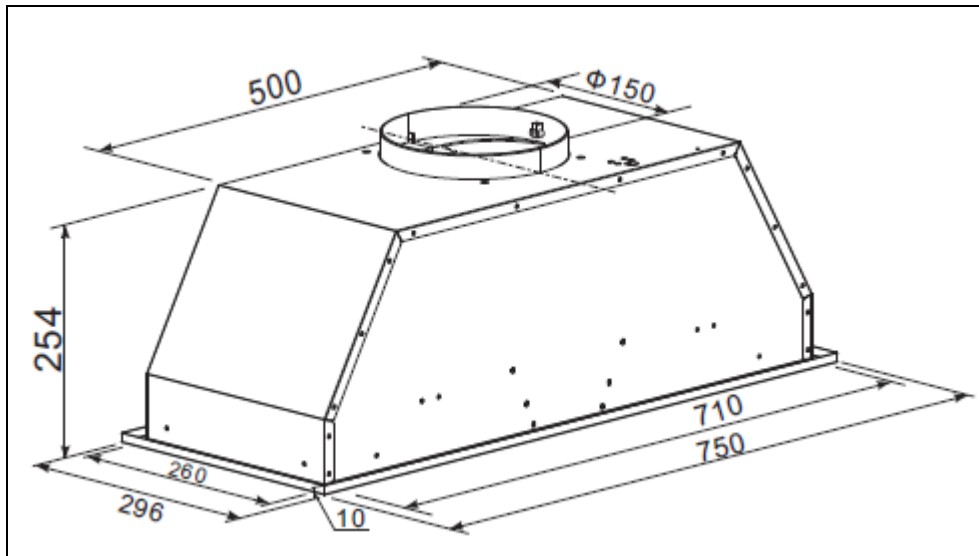
BUCH520SS



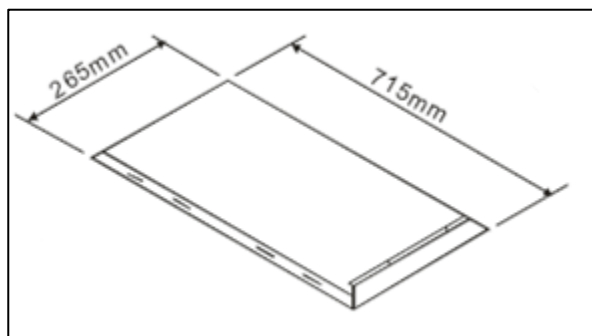
Create an opening in the underneath of the kitchen unit; the cut-out must be of the dimensions shown in the drawing below.

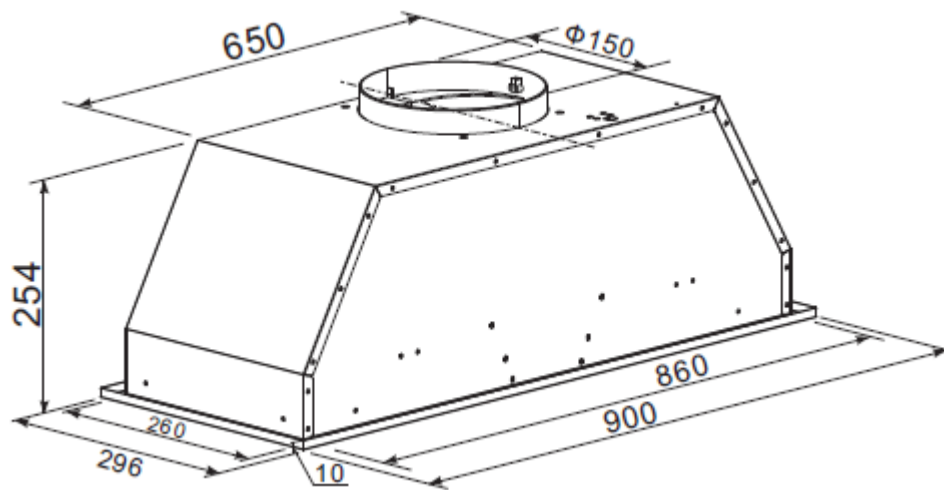


BUCH750SS

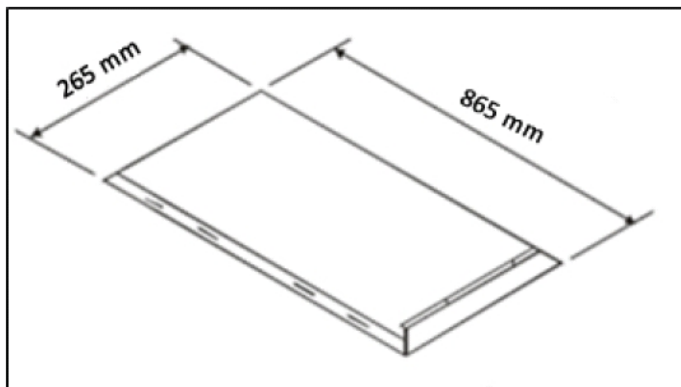


Create an opening in the underneath of the kitchen unit; the cut-out must be of the dimensions shown in the drawing below.



BUCH900SS

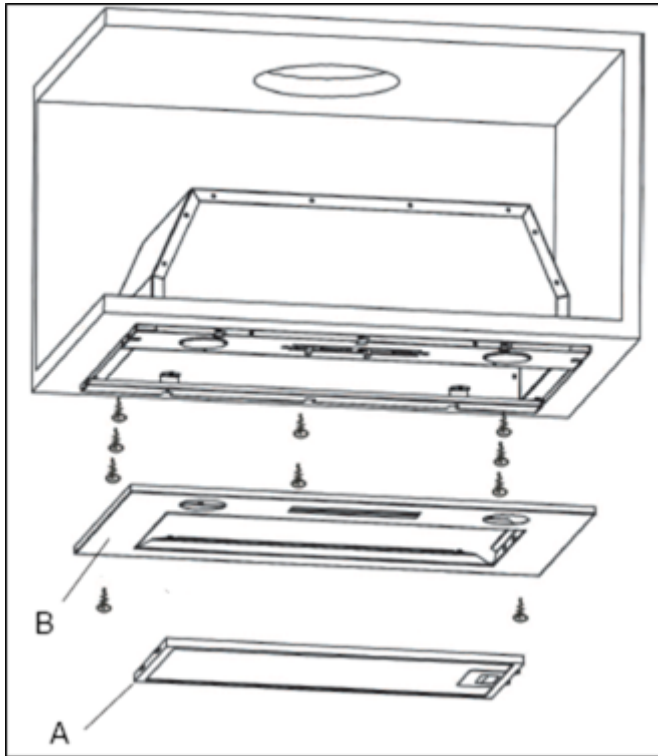
Create an opening in the underneath of the kitchen unit; the cut-out must be of the dimensions shown in the drawing below.



5. INSTALLATION

1) Remove the metal grease filter **(A)**.

2) Create an opening in the underneath of the kitchen unit; the cut-out must be of the dimensions shown in the "Specifications of your cooker hood"



3) Make a hole in the inside of the kitchen unit for the electrical cable to feed through. Remove the 2 screws securing the extractor frame **(B)** to the hood and unscrew the 2 lights. Ensure that the two support clips on either side of the hood are set to accommodate the thickness of the mounting surface, by adjusting the clip via the screw.

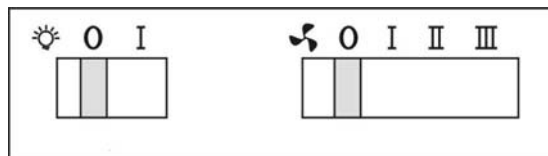
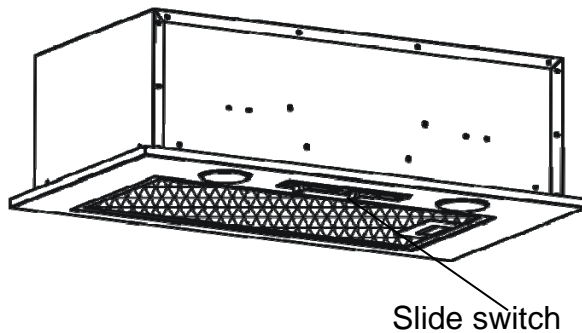
4) Lift the cooker hood towards the cut-out that you made in step 2. Feed the electrical cable through the hole that you made in step 3.

IMPORTANT: Do not connect the electrical cable to the mains supply at this stage.

5) Lift the cooker hood fully into the cut out that you made in step 2. If you are connecting the cooker hood to external ducting, then secure the ducting hose to the coupling on the appliance.

- One person should support the hood. The other person should fully tighten the support screws through the pre-drilled holes in the outer frame of the hood, into the kitchen unit. Then replace the extractor frame using the 2 screws **(B)** and reattach the 2 lights.
- Refit the grease filter.

6.OPERATION



There are 3 speeds for the motor and on / off switch for the lamp.
Slide the switch for operation.


Motor Operation

- 0- off
- 1- Low Power Setting
- 2- Mid Power Setting
- 3- High Power Setting

Light Operation

- 0- Off
- 1- On

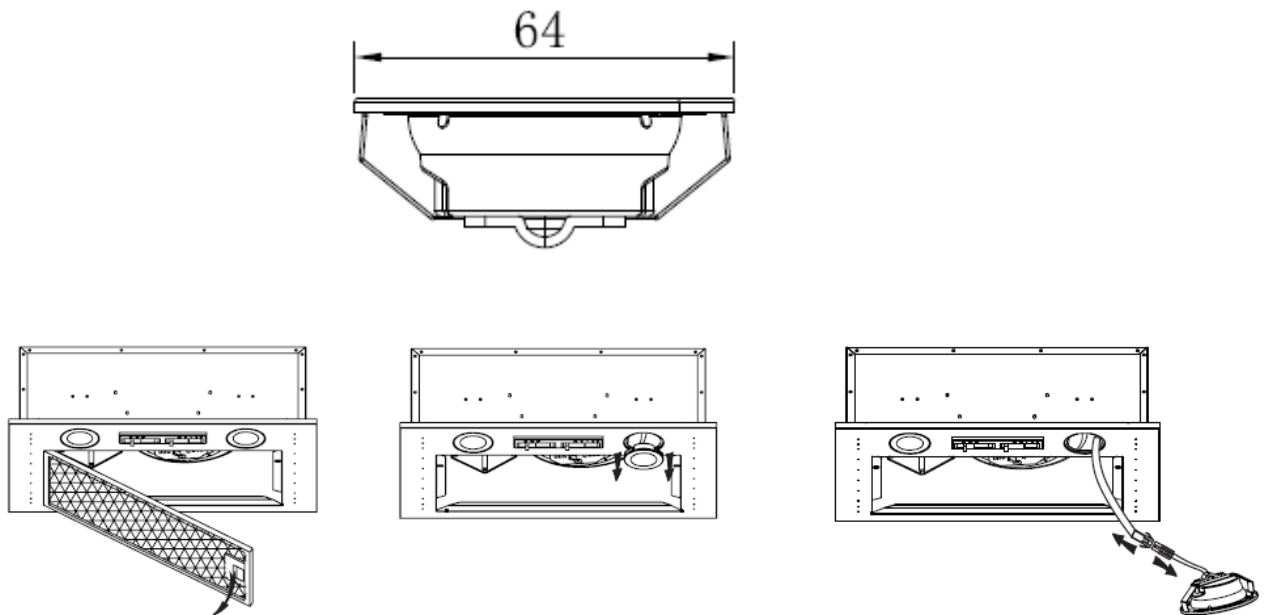
Bulb Replacement

<p>Important :</p> 	<ul style="list-style-type: none"> ✧ The bulb must be replaced by the manufacturer, its service agent or similarly qualified persons. ✧ Always switch off the electricity supply before carrying out any operations on the appliance. When handling bulb, make sure it has completely cooled down before any direct contact with hands. ✧ When handling bulbs hold with a cloth or gloves to ensure perspiration does not come in contact with the bulb as this can reduce the life of the bulb.
--	---

Note:

- Before changing the lights, make sure that the appliance is turned off and unplugged.
- Protect against danger when changing lights, such as wearing gloves.

- Remove the grease filter.
- Put one hand into the cavity to pull out the LED light carefully and replace with the same type and rated LED light (2*2W LSD-B2 LED light)
- Replace the filter back to the unit.
- **ILCOS D code for this lamp is: DBR-2/65-H-64**
 - LED modules, self- ballasted – round lamp
 - Max wattage: 2×2 W
 - Voltage range: AC 110-240V
 - Dimensions:



7. Maintenance

Before cleaning, switch the unit off and pull out the plug.

I. Regular Cleaning

Use a soft cloth moistened with hand-warm mildly soapy water or household cleaning detergent. Never use metal pads, chemical, abrasive material or stiff brush to clean the unit.

II. Monthly Cleaning for filter

ESSENTIAL: Clean the filter every month can prevent any risk of fire.

The filter collects grease, smoke and dust..... so the filter is directly affecting the efficiency of the cooker hood. If not cleaned, the grease residue (potential flammable) will saturate on the filter. Clean it with household cleaning detergent.

8. Abnormity and Solution

Fault	Cause	Solution
Light on, but motor does not work	The leaf blocked	Get rid of the blocking
	The capacitor damaged	Replace capacitor
	The motor jammed bearing damaged	Replace motor
	The internal with of motor off or a bad smell from the motor	Replace motor
Light does not work, motor does not work	Beside the above mentioned, check the following:	
	Light damaged	Replace lights
	Power cord looses	Connect the wires as per the electric diagram
Oil leakage	One way valve and the air ventilation entrance are not tightly sealed	Take down the one way valve and seal with glue
	Leakage from the connection of U-shaped section and cover	Take U-shaped section down and seal with soap or paint
Shake of the body	The leaf damaged and causes shaking	Replace the leaf
	The motor is not tightly hanged	Lock the motor tightly
	The body is not tightly hanged	Fixed the body tightly
Insufficient suction	The distance between the body and the gas top too long	Readjust the distance
	Too much ventilation from open doors or windows	Choose a new place and resemble the machine
The machine inclines	The fixing screw not tight enough	Tighten the hanging screw and make it horizontal
	The hanging screw not tight enough	Tighten the hanging screw and make it horizontal

ENVIRONMENTAL PROTECTION:

This product is marked with the symbol on the selective sorting of waste electronic equipment. This means that this product must not be disposed of with household waste but must be supported by a system of selective collection in accordance with Directive

2002/96/EC. It will then be recycled or dismantled to minimize impacts on the environment, electrical and electronic products are potentially dangerous for the environment and human health due to the presence of hazardous substances.

For more information, please contact your local or regional authorities.

Note:

- a. In order to reduce the environmental impact (e.g. energy use) of the cooking process, please be sure that your product is installed according to the user manual, keep the operation place ventilated, keep the extraction duct be direct and short as possible as it can be.
- b. For the product with manual operation mode, we suggest switch the motor off within 10 minutes after finishing the cooking process.
- c. Please be sure to dismantle related components according to the user manual when maintaining for non-destructive, protect the parts to make the re-installed work can be favoring and avoid damage.