

COOKOLOGY

Microwave Oven

INSTRUCTION MANUAL

MODEL: BIM20LWG

Read these instructions carefully before using your microwave oven, and keep it carefully.

If you follow the instructions, your oven will provide you with many years of good service.

SAVE THESE INSTRUCTIONS CAREFULLY

PRECAUTIONS TO AVOID POSSIBLE EXPOSURE TO EXCESSIVE MICROWAVE ENERGY

(a) Do not attempt to operate this oven with the door open since this can result in harmful exposure to microwave energy. It is important not to break or tamper with the safety interlocks.

(b) Do not place any object between the oven front face and the door or allow soil or cleaner residue to accumulate on sealing surfaces.

(c) **WARNING:** If the door or door seals are damaged, the oven must not be operated until it has been repaired by a competent person.

ADDENDUM

If the apparatus is not maintained in a good state of cleanliness, its surface could be degraded and affect the lifespan of the apparatus and lead to a dangerous situation.

Specifications

Model:	BIM20LWG
Rated Voltage:	230V~50Hz
Rated Input Power(Microwave):	1250W
Rated Output Power(Microwave):	800W
Rated Input Power(Grill):	1000W
Oven Capacity:	20L
Turntable Diameter:	∅ 245mm
External Dimensions:	595x343.5x382mm
Net Weight:	Approx. 15kg

IMPORTANT SAFETY INSTRUCTIONS

WARNING

To reduce the risk of fire, electric shock, injury to persons or exposure to excessive microwave oven energy when using your appliance, follow basic precautions, including the following:

1. Warning: Liquids and other foods must not be heated in sealed containers since they are liable to explode.
2. Warning: It is hazardous for anyone other than a competent person to carry out any service or repair operation that involves the removal of a cover which gives protection against exposure to microwave energy.
3. This appliance can be used by children aged from 8 years and above and persons with reduced physical, sensory or mental capabilities or lack of experience and knowledge if they have been given supervision or instruction concerning use of the appliance in a safe way and understand the hazards involved. Children shall not play with the appliance. Cleaning and user maintenance shall not be made by children unless they are older than 8 and supervised.
4. Keep the appliance and its cord out of reach of children less than 8 years.
5. Only use utensils that are suitable for use in microwave oven.
6. The oven should be cleaned regularly and any food deposits should be removed.
7. Read and follow the specific: "PRECAUTIONS TO AVOID POSSIBLE EXPOSURE TO EXCESSIVE MICROWAVE ENERGY".
8. When heating food in plastic or paper containers,

- keep an eye on the oven due to the possibility of ignition.
9. If smoke is emitted, switch off or unplug the appliance and keep the door closed in order to stifle any flames.
 10. Do not overcook food.
 11. Do not use the oven cavity for storage purposes. Do not store items, such as bread, cookies, etc. inside the oven.
 12. Remove wire twist-ties and metal handles from paper or plastic containers/bags before placing them in the oven.
 13. Install or locate this oven only in accordance with the installation instructions provided.
 14. Eggs in the shell and whole hard-boiled eggs should not be heated in microwave ovens since they may explode, even after microwave heating has ended.
 15. This appliance is intended to be used in household and similar applications such as:
 - staff kitchen areas in shops, offices and other working environments;
 - by clients in hotels, motels and other residential type environments;
 - farm houses;
 - bed and breakfast type environments.
 16. If the supply cord is damaged, it must be replaced by the manufacturer, its service agent or similarly qualified persons in order to avoid a hazard.
 17. Do not store or use this appliance outdoors.
 18. Do not use this oven near water, in a wet basement or near a swimming pool.
 19. The temperature of accessible surfaces may be high when the appliance is operating. The surfaces are liable to get hot during use. Keep cord away from heated

surface, and do not cover any vents on the oven.

20. Do not let cord hang over edge of table or counter.

21. Failure to maintain the oven in a clean condition could lead to deterioration of the surface that could adversely affect the life of the appliance and possibly result in a hazardous situation.

22. The contents of feeding bottles and baby food jars shall be stirred or shaken and the temperature checked before consumption, in order to avoid burns.

23. Microwave heating of beverages can result in delayed eruptive boiling, therefore care must be taken when handling the container.

24. The appliance is not intended for use by persons (including children) with reduced physical, sensory or mental capabilities, or lack of experience and knowledge, unless they have been given supervision or instruction concerning use of the appliance by a person responsible for their safety.

25. Children should be supervised to ensure that they do not play with the appliance.

26. The appliances are not intended to be operated by means of an external timer or separate remote-control system.

27. Accessible parts may become hot during use. Young children should be kept away.

28. Steam cleaner is not to be used.

29. During use the appliance becomes hot. Care should be taken to avoid touching heating elements inside the oven.

30. Only use the temperature probe recommended for this oven. (for ovens provided with a facility to use a

temperature-sensing probe.)

31.WARNING: The appliance and its accessible parts become hot during use. Care should be taken to avoid touching heating elements. Children less than 8 years of age shall be kept away unless continuously supervised.

32.The microwave oven must be operated with the decorative door open.(for ovens with a decorative door.)

33.Surface of a storage cabinet can get hot.

34.The microwave oven is intended for heating food an beverages.Drying of food or clothing and heating of warming pads,slippers,sponges,damp cloth and similar may lead to risk of injury,ignition or fire.

READ CAREFULLY AND KEEP FOR FUTURE REFERENCE

To Reduce the Risk of Injury to Persons Grounding Installation

DANGER

Electric Shock Hazard
Touching some of the internal components can cause serious personal injury or death. Do not disassemble this appliance.

WARNING

Electric Shock Hazard Improper use of the grounding can result in electric shock. Do not plug into an outlet until appliance is properly installed and grounded.

This appliance must be grounded. In the event of an electrical short circuit, grounding reduces the risk of electric shock by providing an escape wire for the electric current. This appliance is equipped with a cord having a grounding wire with a grounding plug. The plug must be plugged into an outlet that is properly installed and grounded.

Consult a qualified electrician or serviceman if the grounding instructions are not completely understood or if doubt exists as to whether the appliance is properly grounded. If it is necessary to use an extension cord, use only a 3-wire

1. A short power-supply cord is provided to reduce the risks resulting from becoming entangled in or tripping over a longer cord.
2. If a long cord set or extension cord is used:
 - 1) The marked electrical rating of the cord set or extension cord should be at least as great as the electrical rating of the appliance.
 - 2) The extension cord must be a grounding-type 3-wire cord.
 - 3) The long cord should be arranged so that it will not drape over the counter top or tabletop where it can be pulled on by children or tripped over unintentionally.

CLEANING

Be sure to unplug the appliance from the power supply.

1. Clean the cavity of the oven after using with a slightly damp cloth.
2. Clean the accessories in the usual way in soapy water.
3. The door frame and seal and neighbouring parts must be cleaned carefully with a damp cloth when they are dirty.
4. Do not use harsh abrasive cleaners or sharp metal scrapers to clean the oven door glass since they can scratch the surface, which may result in shattering of the glass.
5. Cleaning Tip---For easier cleaning of the cavity walls that the food cooked can touch: Place half a lemon in a bowl, add 300ml (1/2 pint) water and heat on 100% microwave power for 10 minutes. Wipe the oven clean using a soft, dry cloth.

UTENSILS

CAUTION

Personal Injury Hazard

It is hazardous for anyone other than a competent person to carry out any service or repair operation that involves the removal of a cover which gives protection against exposure to microwave energy.

See the instructions on "Materials you can use in microwave oven or to be avoided in microwave oven."

There may be certain non-metallic utensils that are not safe to use for microwaving. If in doubt, you can test the utensil in question following the procedure below.

Utensil Test:

1. Fill a microwave-safe container with 1 cup of cold water (250ml) along with the utensil in question.
2. Cook on maximum power for 1 minute.
3. Carefully feel the utensil. If the empty utensil is warm, do not use it for microwave cooking.
4. Do not exceed 1 minute cooking time.

Materials you can use in microwave oven

Utensils	Remarks
Aluminium foil	Shielding only. Small smooth pieces can be used to cover thin parts of meat or poultry to prevent overcooking. Arcing can occur if foil is too close to oven walls. The foil should be at least 1 inch (2.5cm) away from oven walls.
Browning dish	Follow manufacturer's instructions. The bottom of browning dish must be at least 3/16 inch (5mm) above the turntable. Incorrect usage may cause the turntable to break.
Dinnerware	Microwave-safe only. Follow manufacturer's instructions. Do not use cracked or chipped dishes.
Glass jars	Always remove lid. Use only to heat food until just warm. Most glass jars are not heat resistant and may break.
Glassware	Heat-resistant oven glassware only. Make sure there is no metallic trim. Do not use cracked or chipped dishes.
Oven cooking bags	Follow manufacturer's instructions. Do not close with metal tie. Make slits to allow steam to escape.
Paper plates and cups	Use for short-term cooking/warming only. Do not leave oven unattended while cooking.
Paper towels	Use to cover food for reheating and absorbing fat. Use with supervision for a short-term cooking only.
Parchment paper	Use as a cover to prevent splattering or a wrap for steaming.
Plastic	Microwave-safe only. Follow the manufacturer's instructions. Should be labeled "Microwave Safe". Some plastic containers soften, as the food inside gets hot. "Boiling bags" and tightly closed plastic bags should be slit, pierced or vented as directed by package.
Plastic wrap	Microwave-safe only. Use to cover food during cooking to retain moisture. Do not allow plastic wrap to touch food.
Thermometers	Microwave-safe only (meat and candy thermometers).
Wax paper	Use as a cover to prevent splattering and retain moisture.

Materials to be avoided in microwave oven

Utensils	Remarks
Aluminium tray	May cause arcing. Transfer food into microwave-safe dish.
Food carton with metal handle	May cause arcing. Transfer food into microwave-safe dish.
Metal or metal-trimmed utensils	Metal shields the food from microwave energy. Metal trim may cause arcing.
Metal twist ties	May cause arcing and could cause a fire in the oven.
Paper bags	May cause a fire in the oven.
Plastic foam	Plastic foam may melt or contaminate the liquid inside when exposed to high temperature.
Wood	Wood will dry out when used in the microwave oven and may split or crack.

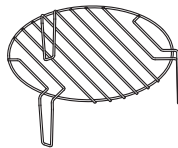
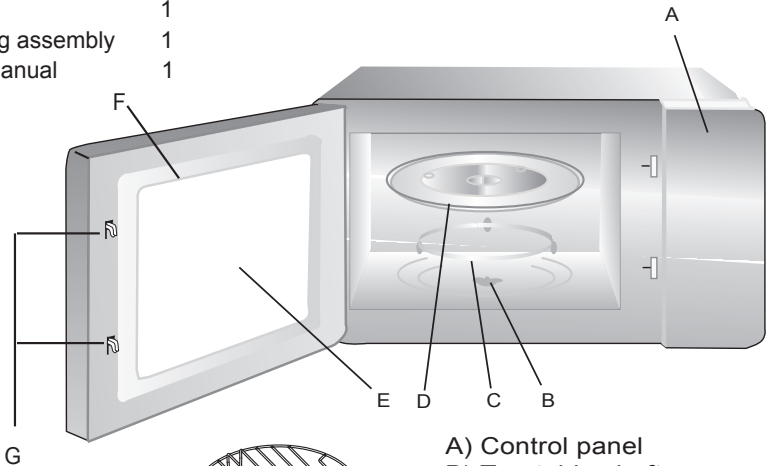
SETTING UP YOUR OVEN

Names of Oven Parts and Accessories

Remove the oven and all materials from the carton and oven cavity.

Your oven comes with the following accessories:

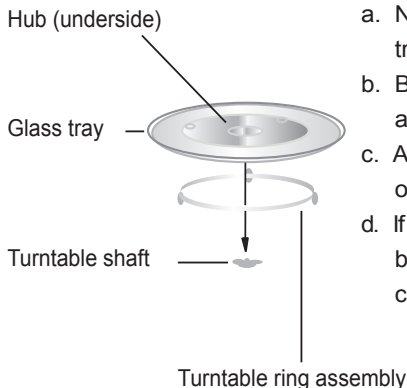
- Glass tray 1
- Turntable ring assembly 1
- Instruction Manual 1



Grill Rack(Only for Grill series)

- A) Control panel
- B) Turntable shaft
- C) Turntable ring assembly
- D) Glass tray
- E) Observation window
- F) Door assembly
- G) Safety interlock system

Turntable Installation



- a. Never place the glass tray upside down. The glass tray should never be restricted.
- b. Both glass tray and turntable ring assembly must always be used during cooking.
- c. All food and containers of food are always placed on the glass tray for cooking.
- d. If glass tray or turntable ring assembly cracks or breaks, contact your nearest authorized service centre.

Installation and connection




1. This appliance is only intended for domestic use.
2. This oven is intended for built-in use only. It is not intended for counter-top use or for use inside a cupboard.
3. Please observe the special installation instructions.
4. The appliance can be installed in a 60cm wide wall-mounted cupboard.
5. The appliance is fitted with a plug and must only be connected to a properly installed earthed socket.
6. The mains voltage must correspond to the voltage specified on the rating plate.
7. The socket must be installed and connecting cable must only be replaced by a qualified electrician. If the plug is no longer accessible following installation, an all-pole disconnecting device must be present on the installation side with a contact gap of at least 3mm.
8. Adapters, multi-way strips and extension leads must not be used. Overloading can result in a risk of fire.

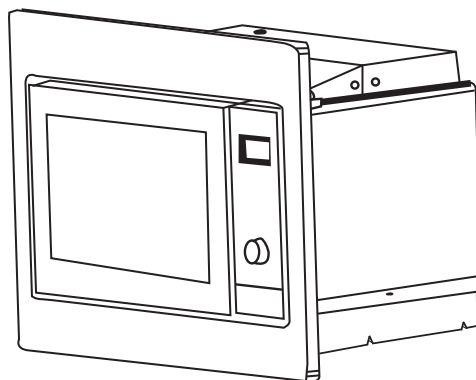
The accessible surface may be hot during operation.



Installation Instructions

Please Read the Manual Carefully Before Installation

- ADJUST SCREW A 
- SCREW B 
- TRIM-KIT PLASTIC COVER 



Please Note

Electrical connection

The oven is fitted with a plug and must be only connected to a properly installed earthed socket. In accordance with the appropriate regulations, the socket must only be installed and the connecting cable must only be replaced by a qualified electrician.

If the plug is no longer accessible following installation and all-pole isolating switch must be present on the installation side with a contact gap of at least 3mm.

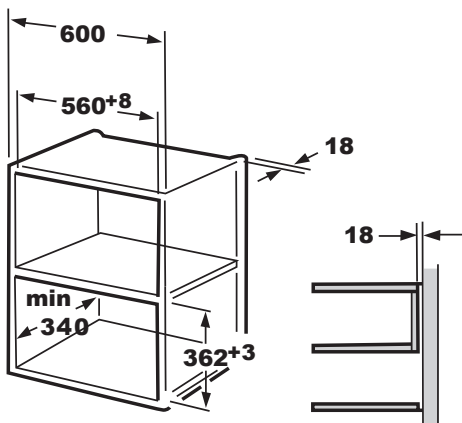
A. Built-in furniture

The built-in cabinet shall not have a rear wall behind the appliance.

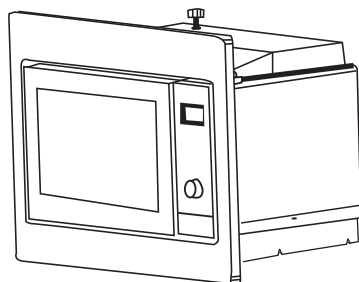
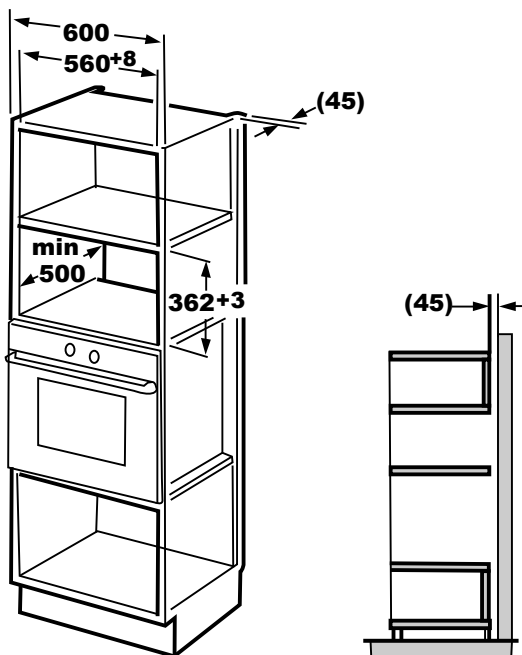
Minimum installation height is 85cm.

Do not cover ventilation slots and air intake points.

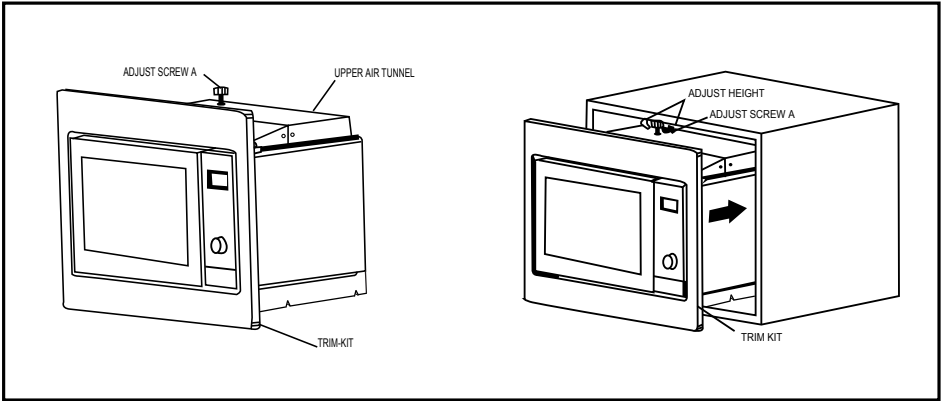
1.



2.

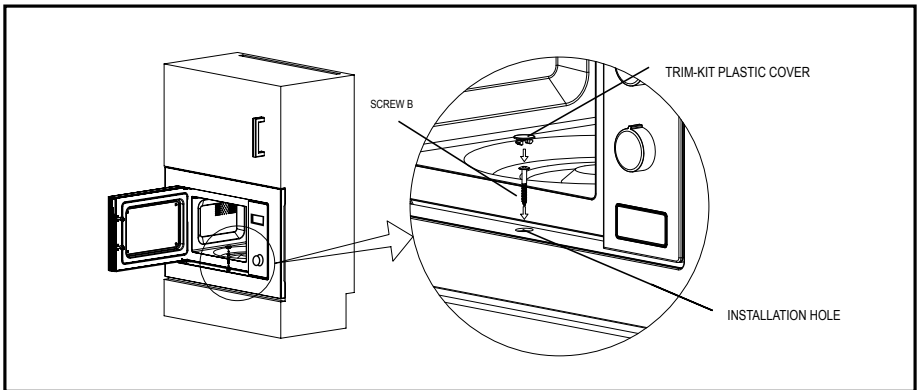


B. Install the Oven



1. Fix ADJSUTSCREW A on the UPPER AIR TUNNEL of the oven, and then install the oven into the cabinet.

- Adjust the height of ADJUST SCREW A to keep 1mm gap between the ADJUST SCREW A and the top plane of cabinet.
- Do not trap or kink the power cord.
- Make sure that the oven is installed in the centre of the cabinet.





2. Open the door; fix the oven to the cabinet with SCREW B at the INSTALLATION HOLE of TRIM KIT. Then fix the TRIM-KIT PLASTIC COVER to the INSTALLATION HOLE.

Operation Instructions

1. Clock Setting


When the microwave oven is electrified, the LED will display "0:00", buzzer will ring once.

1) Press "**Clock/ Pre-set**", the hour figures will flash, and the indicator for clock " " will light.



2) Turn " " to adjust the hour figures, the input time should be within 0--23.

3) Press "**Clock/ Pre-set**", the minute figures will flash.

4) Turn " " to adjust the minute figures, the input time should be within 0--59.


5) Press "**Clock/ Pre-set**" to finish clock setting. The indicator for clock " " will go out, ":" will flash, and the time will light.

2. Cooking food


Press "**Micro./Grill/Combi**" and then turn " " to select the function you want. Press "**Micro./Grill/Combi**" and turn " " to select the cooking time. Press "**Quick Start/Start**" to start cooking.

Example: If you want to use 80% microwave power to cook for 20 minutes, you can operate the oven as the following steps.

1) Press "**Micro./Grill/Combi**", the screen display "P100".

2) Turn " " to adjust 80% microwave power until the oven displays "P 80".

3) Press "**Micro./Grill/Combi**" to confirm, the screen displays "P 80".

4) Turn " " to adjust the cooking time until the oven displays "20:00".

5) Press "**Quick Start/Start**" to start cooking or press "**Cancel/Stop**" to cancel the settings.

Note: the step quantities for the adjustment time of the coding switch are as follow:

0---1 min	:	5 seconds
1---5 min	:	10 seconds
5---10 min	:	30 seconds
10---30 min	:	1 minute
30---95 min	:	5 minutes



"Micro./Grill/Combi." Pad instructions


Order	LED Display	Microwave Power	Grill Power
1	P100	100%	
2	P 80	80%	
3	P 50	50%	
4	P 30	30%	
5	P 10	10%	
6	G	0%	100%
7	C-1	55%	45%
8	C-2	36%	64%

Note: If half the grill time passes, the oven should pause and sound twice, and this is normal. You can just press " **Quick Start/Start** " to continue cooking. But in order to have a better effect of grilling food, you should turn the food over, close the door, and then press " **Quick Start/Start** " to continue cooking. If there is no operation in 1 minute, the oven will work automatically and sound once.


3. Program set in Advance



- 1) Set the clock first. (Consult the instruction of clock setting.)
 - 2) Input the cooking program. Three stages can be set at most. Defrosting should always be set as the first stage, if it is included in the multi-level program.
- Example: If you want to use 100% microwave power to cook for 20 minutes, you can operate the oven as the following steps.

- a. Press " **Micro./Grill/Combi.** " twice, the screen display "P100".
 - b. Turn "  " to adjust the cooking time until the oven displays "20:00".
 - c. Please do not press " **Quick Start/Start** " to start cooking at the last step.
-
- 3) Press " **Clock/ Pre-set** ", the hour figures will flash, and the indicator "  " will light.

4) Turn " " to adjust the hour figures, the input time should be within 0--23.

5) Press " **Clock/ Pre-set** ", the minute figures will flash.



6) Turn " " to adjust the minute figures, the input time should be within 0--59.


7) Press "**Quick Start/Start**" to finish setting. The indicator for clock " " will flash. If the door is closed, buzzer will ring twice when the time arrives, then cooking will start automatically and the indicator for clock " " will go out.

4. Start/Quick Start

When the oven is in the waiting states, Press "**Quick Start/Start**" to start cooking food with full microwave power for 1 minute. Each press will increase one minute. The maximum cooking time is 95 minutes.


5. Defrost By W.T.


1) Press "**Defrost By W.T.**" button. LED will display "dEF1", " " and " " will light.

2) Turn " " to select the weight of food. The weight is 100 to 2000g.

3) Press "**Quick Start/Start**" to start defrosting. " " and " " will flash.

6. Defrost By Time

1) Press "**Defrost By Time**" button. LED will display "dEF2", " " and " " will light.

2) Turn " " to select the cooking time. The MAX.time is 95 minutes.

3) Press "**Quick Start/Start**" to start defrosting. " " and " " will flash.

7. Inquiring Function

(1) In one stage cooking state, press "**Micro./Grill/Combi.**", the current microwave power will be displayed for 4 seconds. After 4 seconds, the oven will turn back to the former state;

(2) In cooking state, press "**Clock/ Pre-set**" to inquire the time and the time will flash for 4 seconds.

(2) In Pre-set state, press "**Clock/ Pre-set**" to inquire the time for delay start and the time will flash for 4 seconds.

8. Multi-section cooking


At most 3 sections can be set for cooking. In multi-section cooking, if one section is defrosting, then defrosting shall be placed in the first section.

Note: Auto cooking can not work in the multi-section cooking.


Example: If you want to use "20 minutes of 100% microwave power + 5 minutes of 80% microwave power" to cook.


- 1) Press "**Micro./Grill/Combi.**" pad, the screen display "P100".

- 2) Press "**Micro./Grill/Combi.**" to select 100% microwave power.

- 3) Turn " " to select the cooking time.

- 4) Press "**Micro./Grill/Combi.**" pad, the screen display "P100".


- 5) Turn " " to select 80% microwave power.


- 6) Press "**Micro./Grill/Combi.**" pad, then turn " " to select cooking time of 80% microwave power.

- 7) Press "**Quick Start/Start**" to start cooking or press "**Cancel/Stop**" to cancel the setting.


9. Auto Menu


Example: If you want to use "Auto Menu" to cook fish of 250g.

- 1) Press "**Auto Menu**", the oven display "A-1", " and "**AUTO COOK**" will light.

- 2) Turn " " to select the function you want.

- 3) Press "**Auto Menu**" button to confirm.

- 4) Turn " " to select weight of fish. "g" will light.

- 5) Press "**Quick Start/Start**" to start. "g" will go out, " and "**AUTO COOK**" will flash.

10. Lock-out Function for Children

Lock: In waiting state, press "**Cancel/Stop**" for 3 seconds, there will be a long beep denoting entering into the children-lock state and LED will display " [: :]".

Lock quitting: In locked state, press "**Cancel/Stop**" for 3 seconds, there will be a long "beep" denoting that the lock is released.

The automatic menu procedure:

Menu	Order	Weight	Display
A-1 Auto Reheat	1	200 g	200
		400 g	400
		600 g	600
A-2 Vegetable	2	200 g	200
		300 g	300
		400 g	400
A-3 Fish	3	250 g	250
		350 g	350
		450 g	450
A-4 Meat	4	250 g	250
		350 g	350
		450 g	450
A-5 Pasta	5	50 g	50
		100 g	100
A-6 Potato	6	200 g	200
		400 g	400
		600 g	600
A-7 Pizza	7	200 g	200
		400 g	400
A-8 Soup	8	200 ml	200
		400 ml	400

Trouble shooting

Normal	
Microwave oven interfering TV reception	Radio and TV reception may be interfered when microwave oven operating. It is similar to the interference of small electrical appliances, like mixer, vacuum cleaner, and electric fan. It is normal.
Dim oven light	In low power microwave cooking, oven light may become dim. It is normal.
Steam accumulating on door, hot air out of vents	In cooking, steam may come out of food. Most will get out from vents. But some may accumulate on cool place like oven door. It is normal.
Oven started accidentally with no food in.	It is forbidden to run the unit without any food inside. It is very dangerous.

Trouble	Possible Cause	Remedy
Oven can not be started.	(1) Power cord not plugged in tightly.	Unplug. Then plug again after 10 seconds.
	(2) Fuse blowing or circuit breaker works.	Replace fuse or reset circuit breaker (repaired by professional personnel of our company)
	(3) Trouble with outlet.	Test outlet with other electrical appliances.
Oven does not heat.	(4) Door not closed well.	Close door well.
Glass turntable makes noise when microwave oven operates	(5) Dirty roller rest and oven bottom.	Refer to "Maintenance of Microwave" to clean dirty parts.



According to Waste of Electrical and Electronic Equipment (WEEE) directive, WEEE should be separately collected and treated. If at any time in future you need to dispose of this product please do NOT dispose of this product with household waste. Please send this product to WEEE collecting points where available.