

COOKOLOGY

CDD600BK & CDD900BK

CDD605BK & CDD905BK

CDD600WH & CDD900WH

Cooker hood

Instruction Manual

CONTENT

COOKOLOGY

1.....Safety warning

2..... Notice

3..... Feature

4..... Installation instructions

5..... Lamp replacement

6.....Maintenance

7.....Switch instruction

8.....Abnormity and Solution

1.SAFETY WARNING

Never let children operate the cooker hood.

The cooker hood is for home use only. It is not suitable for barbecues, Roast shop and other commercial purposes.

The installation must be completed by a qualified and competent fitter, and connect the correct power before use.

The cooker hood and its filter mesh should be cleaned regularly in order to keep it in good working order.

Before cleaning, switch the power off at the main supply.

Clean the cooker hood according to the instruction manual and keep the cooker hood from the danger of burning.

Prohibit putting the cookerhood by fire.

If there is any fault with the appliance, please call the service department to request a service engineer.

Thank you for choosing our cooker hood. Please read this instruction manual carefully before installing and using the cooker hood.

The manufacturer disclaims all liability for any damage or injury caused as a result of not following the instructions for installation that are contained in this manual.

2.Notice

This appliance can be used by children aged from 8 years and above and persons with reduced physical, sensory or

COOKOLOGY

mental capabilities or lack of experience and knowledge if they have been given supervision or instruction concerning use of the appliance in a safe way and understand the hazards involved. Children shall not play with the appliance. Cleaning and user maintenance shall not be made by children without supervision

If the supply cord is damaged, it must be replaced by the manufacturer, its service agent or similarly qualified persons in order to avoid a hazard.

The instructions shall state the substance of the following:

- there shall be adequate ventilation of the room when the range hood is used at the same time as appliances burning gas or other fuels (not applicable to appliances that only discharge the air back into the room);

- the details concerning the method and frequency of cleaning;

- there is a fire risk if cleaning is not carried out in

accordance with the instructions;

- do not flambé under the range hood;
- CAUTION: Accessible parts may become hot when used with cooking appliances.

The installation instructions shall include the substance of the following:

- the air must not be discharged into a flue that is used for exhausting fumes from appliances burning gas or other fuels (not applicable to appliances that only discharge the air back into the room);

- the minimum distance between the supporting surface for the cooking vessels on the hob and the lowest part of

the range hood. (When the range hood is located above a gas appliance, this distance shall be at least 65 cm.

- regulations concerning the discharge of air have to be fulfilled.

The installation instructions for range hoods with accessible metallic enclosures of class II construction shall include details that indicate the location and maximum permitted lengths for any fixing or mounting screw or other fixing device that penetrates into the range hood to attach an accessory such as a fascia or duct fitting.

Where fixing or mounting screws, or other fixing devices are used, that penetrate into the range hood with an accessible metallic enclosure of class II construction, to attach an accessory, the instructions shall indicate the required location of these screws or fixing devices and include the substance of the following warning.

Warning: Failure to install the screws or fixing device in

accordance with these instructions may result in electrical hazards

3.FEATURES

COOKOLOGY

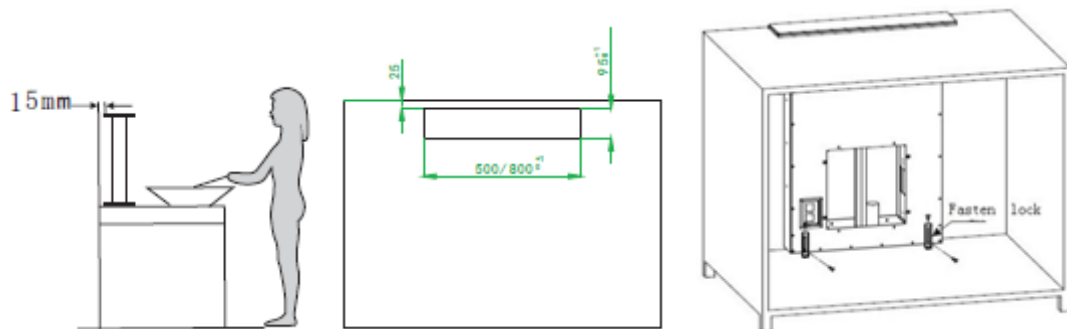
The cooker hood has a streamlined design and is made with high quality materials.

Other features include a large power low noise electric motor and centrifugal leaf that produces strong suction. Also, a non-stick grease filter ensures that the cooker hood is easy to clean.

The cooker hood's special wind tunnel construction and oil collector design enables free dirt to be absorbed in seconds.

4.INSTALLATION

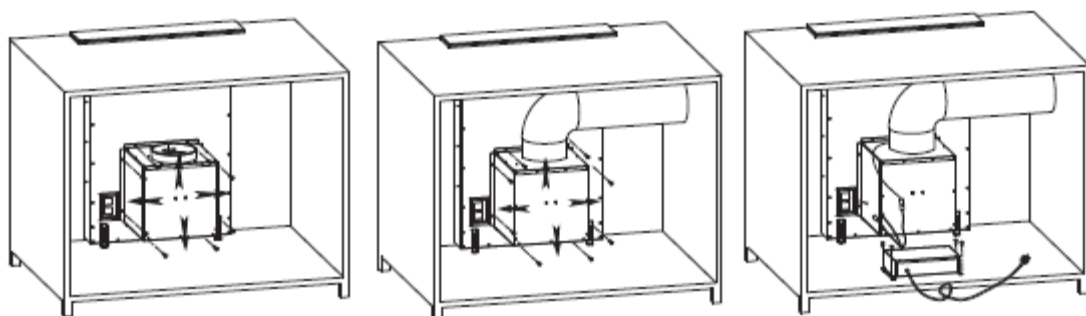
1. The cooker hood should be placed at a distance of 15mm from the wall at least. (See Pic1)
2. Put the hood into the hole of the cabinet.(See pic 2) Use 4pcs screw ST4*8 & screw ST4*14 & fixing knock to fix the hood.(See pic 3)
- 3.Connect the casing & hood by 8pcs screw M10*10, the wind direction are up, down, left, right, the user can select according to the space of the cabinet.(See pic 4)
- 4.Fix the pipe on the outlet, and use 4pcs screw ST4*14 to fix the PCB box, connect the power and finish the installation.(See pic 5) The distance between the edge of cooker hood and the hob should be at least 40mm.Refer to pic 6.



Pic 1

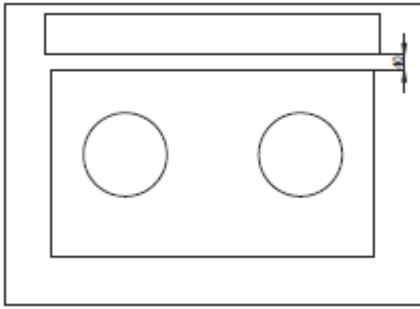
Pic 2

Pic 3



Pic 4


Pic 5



Pic 6

5.LAMP REPLACEMENT

BULB REPLACEMENT

<p>Important :</p> 	<ul style="list-style-type: none"> ✧ The bulb must be replaced by a competent person. ✧ Always switch off the electricity supply before carrying out any operations on the appliance. When handling bulb, make sure it is completely cool down before any direct contact to hands. ✧ When handling globes hold with a cloth or gloves to ensure perspiration does not come in contact with the globe as this can reduce the life of the globe.
--	---

- Switch off the downdraft and unplug it from the main power supply.
- Open the decorative door of the downdraft.
- Insert a small screw-driver “-“ type into the gap and pry up the lamp fitting and disconnect the plug (Refer Pic below).
- Replace with same type of light.

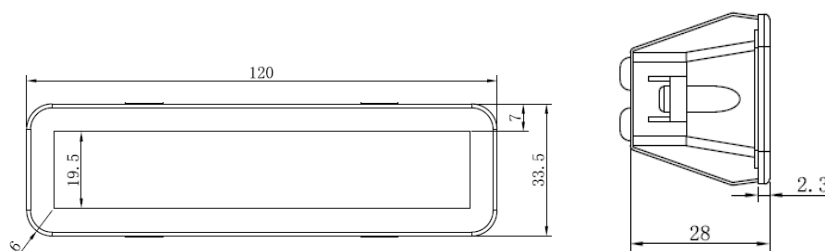
• ILCOS D code for this lamp is: DSS-1-S-120/33.5.

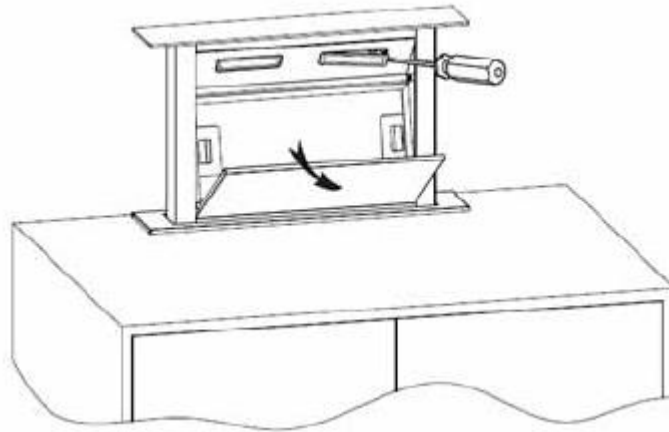
– LED modules –rectangle LED lamp

– Max wattage: 1 W

– Voltage range: DC 12V

– Dimensions:





6.MAINTENANCE

Replace and clean the filter

Please follow the below filter dismantled method operation (See pic 9)

Method 1: Put the filter into 40-50°C clean water, pour on detergent, and soak for 2-3 minutes. Wear gloves and clean with a soft brush. Please do not apply too much pressure, as the filter is delicate and will damage easily.

Method 2: The filter can be put into a dishwasher. Set the temperature at around 60°C.

The filter is made of high-density metal. Please do not use corrosive detergent on it. Keeping this filter clean will keep the appliance running correctly.

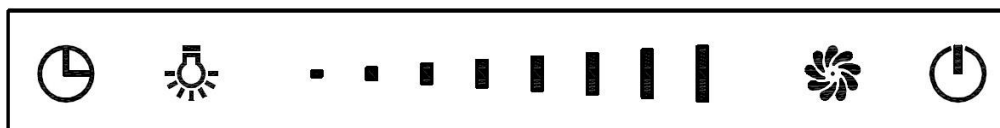
Note:

1. Please do not put anything which can block the up & down of the hood to avoid the damage of the hood and body injury.
2. Please keep the power off when clean the hood.

7.SWITCH INSTRUCTION

This control system consists of two parts, power panel and touch panel.

Touch panel contains five function buttons (power, speed, light, timer, slide control)



COOKOLOGY

Timer

Light



Slide control



Speed

Power


Functional Operation

1 Power on, the hood will standby with backlight, backlight will be extinguished after 5 seconds without any operation, for using the hood again, touch any key to wake up it's standby motion.

2 Touch the power button  for 2 seconds, the hood will slide upwards, and works at the first speed. Touch the power button  for 2 seconds again, the hood will slide downwards, and stop working. If you stop the hood, without stopping the motor, when you open the hood again, the hood will work at the speed it works last time.

2.1 Press the power button , when the hood is coming upwards or going downwards, the hood will stop moving, with motor keeping running. Press the power button  again, the hood will move again.

3. Motor on/off and speed setting:



3.1 Touch the speed button , the motor will turn on; touch it again, it will turn off.







3.2. How to set the speed? Touch this area with your finger sliding on it. When your finger stops at the first or second point, the motor will run at the lowest speed; when your finger stops at the third or fourth point, the motor will run at the second speed; when your finger stops at the fifth or sixth point, the motor will run at the third speed; when your finger stops at the seventh or eighth point, the motor will run at the highest speed.

4. Lighting:

4.1. After the hood slides up, the lights will turn on automatically in 8-10 seconds.

4.2 Touch the button of light , lights will turn off. Touch the light button  again, the lights will turn off.

4.3 When you touch the button of light , the pilot light is flashing. Slide the button  to control the light intensity when the pilot light is flashing. When enter into the controlling of light intensity, the slide button  control the light intensity. There is 8 speeds of slide button when lighting, every speed means one light intensity. When touch slide button  and slide to one light and it will be on, the light will be on in corresponding light intensity. It can

also use the manual keys by touching the button "■ ■" to operate the hoods on one pilot light and it will be on in corresponding light intensity. The pilot light will stop flashing after 15s if no function adjustment.

5. Timer button "⌚"

5.1 Touch timer button "⌚" when light or motor is working; the hood will enter into timer working. When the pilot light of timer is flashing, slide button "■ ■" to select the timer section. There are eight sections of timer button when timer is working, they are: 5-10-15-20-25-30-35-40, touch the timer button "⌚" to enter into timer working when confirm the timer section. Or, enter into timer working automatically 5s later. The motor and light are off automatically when finish the timer, the hood will enter into standby, the decorative cover will close automatically.

5.2 Use the timer function again when keep power on, touch the timer button but without time setting, the hood will keep the time which setted on last time. It will decrease by second after 5s. It will work as new time after new setting.

5.3 Touch the speed button or control the light intensity when timer is working, the timer function will cancel automatically.

8. Abnormity and Solution

Fault	Cause	Solution
Light on, but motor does	The leaf blocked	Get rid of the blocking
	The capacitor damaged	Replace capacitor

not work	The motor jammed bearing damaged	Replace motor
	The internal with of motor off or a bad smell from the motor	Replace motor
Light does not work, motor does not work	Beside the above mentioned, check the following:	
	Light damaged	Replace lights
	Power cord looses	Connect the wires as per the electric diagram
Oil leakage	One way valve and the air ventilation entrance are not tightly sealed	Take down the one way valve and seal with glue
	Leakage from the connection of U-shaped section and cover	Take U-shaped section down and seal with soap or paint
Shake of the body	The leaf damaged and causes shaking	Replace the leaf
	The motor is not tightly hanged	Lock the motor tightly
	The body is not tightly hanged	Fixed the body tightly
Insufficient suction	The distance between the body and the gas top too long	Readjust the distance
	Too much ventilation from open doors or windows	Choose a new place and resemble the machine
The machine inclines	The fixing screw not tight enough	Tighten the hanging screw and make it horizontal
	The hanging screw not tight enough	Tighten the hanging screw and make it horizontal

ENVIRONMENTAL PROTECTION:



This product is marked with the symbol on the selective sorting of waste electronic equipment. This means that this product must not be disposed of with household waste but must be supported by a system of selective collection in accordance with Directive 2002/96/EC. It will then be recycled or dismantled to minimize impacts on the environment, electrical and electronic products are potentially dangerous for the environment and human health due to the presence of

hazardous substances.

For more information, please contact your local or regional authorities.

Note:

- a. In order to reduce the environmental impact (e.g. energy use) of the cooking process, please be sure that your product is installed according to the user manual, keep the operation place ventilated, keep the extraction duct be direct and short as possible as it can be.
- b. For the product with manual operation mode, we suggest switch the motor off within 10 minutes after finishing the cooking process.
- c. Please be sure to dismantle related components according to the user manual when maintaining for non-destructive, protect the parts to make the re-installed work can be favoring and avoid damage.