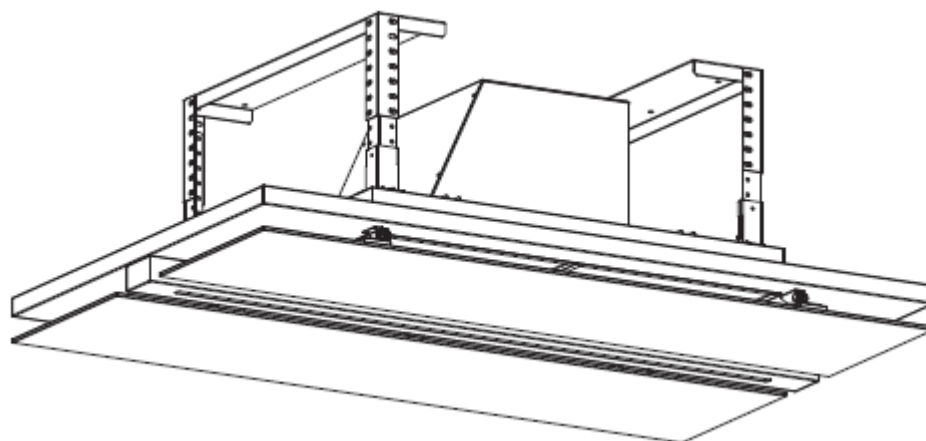


COOKOLOGY

CEI100BK & CEI100WH

Cooker Hood

Instruction Manual



Content

1.....Safety instructions
2.....Installation
3.....Start using your cooker hood

4.....Troubleshooting
5.....Maintenance and cleaning
6.....Environment protection

SAFETY INSTRUCTIONS

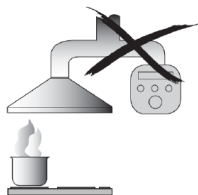
This manual explains the proper installation and use of your cooker hood, please read it carefully before using even if you are familiar with the product. The manual should be kept in a safe place for future reference.

Never to do:

- Do not try to use the cooker hood without the grease filters or if the filters are excessively greasy!
- Do not install above a cooker with a high level grill.
- Do not leave frying pans unattended during use because overheated fats or oils might catch fire.
- Never leave naked flames under the cooker hood.



- If the cooker hood is damaged, do not attempt to use.
- Do not flambé under the cooker hood.
- CAUTION: Accessible parts may become hot when used with cooking appliances.
- The minimum distance between the supporting surface for the cooking vessels on the hob and the lowest part of the cooker hood. (When the cooker hood is located above a gas appliance, this distance shall be at least 65 cm)
- The air must not be discharged into a flue that is used for exhausting fumes from appliances burning gas or other fuels.



Always to do:

- Important! Always switch off the electricity supply at the mains during installation and maintenance such as light bulb replacement.
- The cooker hood must be installed in accordance with the installation

instructions and all measurements followed.

- All installation work must be carried out by a competent person or qualified electrician.
- Please dispose of the packing material carefully. Children are vulnerable to it.
- Pay attention to the sharp edges inside the cooker hood especially during installation and cleaning.
- Make sure the ducting has no bends sharper than 90 degrees as this will reduce the efficiency of the cooker hood.
- Warning: Failure to install the screws or fixing device in accordance with these instructions may result in electrical hazards
- Warning: Before obtaining access to terminals, all supply circuits must be disconnected.

Always to do:

- Always put lids on pots and pans when cooking on a gas cooker.
- When in extraction mode, air in the room is being removed by the cooker hood. Please make sure that proper ventilation measures are being observed. The cooker hood removes odours from room but not steam.
- Cooker hood is for domestic use only.



- If the supply cord is damaged, it must be replaced by the manufacturer, its service agent or similarly qualified persons in order to avoid a hazard.
- This appliance can be used by children aged from 8 years and above and persons with reduced physical, sensory or mental capabilities or lack of experience and knowledge if they have been given supervision or instruction concerning use of the appliance in a safe way and understand the hazards involved. Children shall not play with the appliance. Cleaning and user maintenance shall not be made by children without supervision.



- **Warning:** Before obtaining access to terminals, all supply circuits must be disconnected.

Always to do:

- **Caution:** The appliance and its accessible parts can become hot during operation. Be careful to avoid touching the heating elements. Children younger than 8 years old should stay away unless they are under permanent supervision.

- There shall be adequate ventilation of the room when the range hood is used at the same time as appliances burning gas or other fuels.
- There is a fire risk if cleaning is not carried out in accordance with the instructions
- Regulations concerning the discharge of air have to be fulfilled.
- Clean your appliance periodically by following the method given in the chapter MAINTENANCE.
- For safety reason, please use only the same size of fixing or mounting screw which are recommended in this instruction manual.
- Regarding the details about the method and frequency of cleaning, please refer to maintenance and cleaning section in the instruction manual.
- Cleaning and user maintenance shall not be made by children without supervision.
- When the range hood and appliances supplied with energy other than electricity are simultaneously in operation, the negative pressure in the room must not exceed 4 Pa (4 x 10⁻⁵ bar).
- **WARNING:** Danger of fire: do not store items on the cooking surfaces.
- A steam cleaner is not to be used.
- **NEVER** try to extinguish a fire with water, but switch off the appliance and then cover flame e.g. with a lid or a fire blanket.

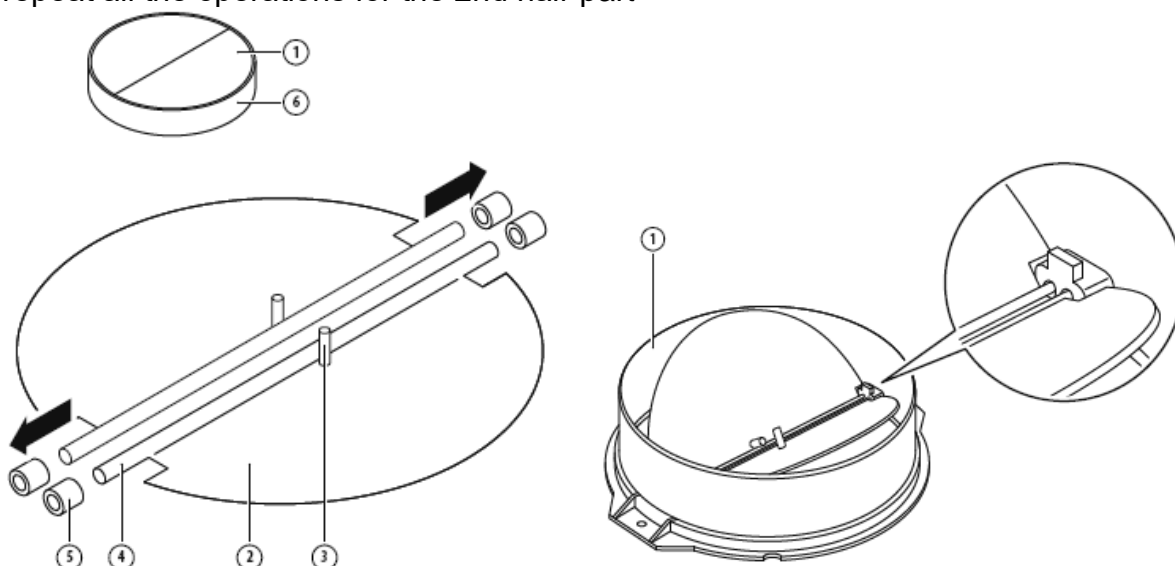
INSTALLATION (VENT OUTSIDE)

MOUNTING OF THE V-FLAP

If the cooker hood does not have an assembled V-flap 1, you should mount the half-parts to its body. The images only show an example of how to mount the V-flap, the outlet may be various according to different models and configuration.

To mount the V-flap 1 you should:

- Mount two half-parts 2 into the body 6
- a pin 3 should be top oriented;
- the axis 4 should be inserted in the holes 5 on body;
- repeat all the operations for the 2nd half-part

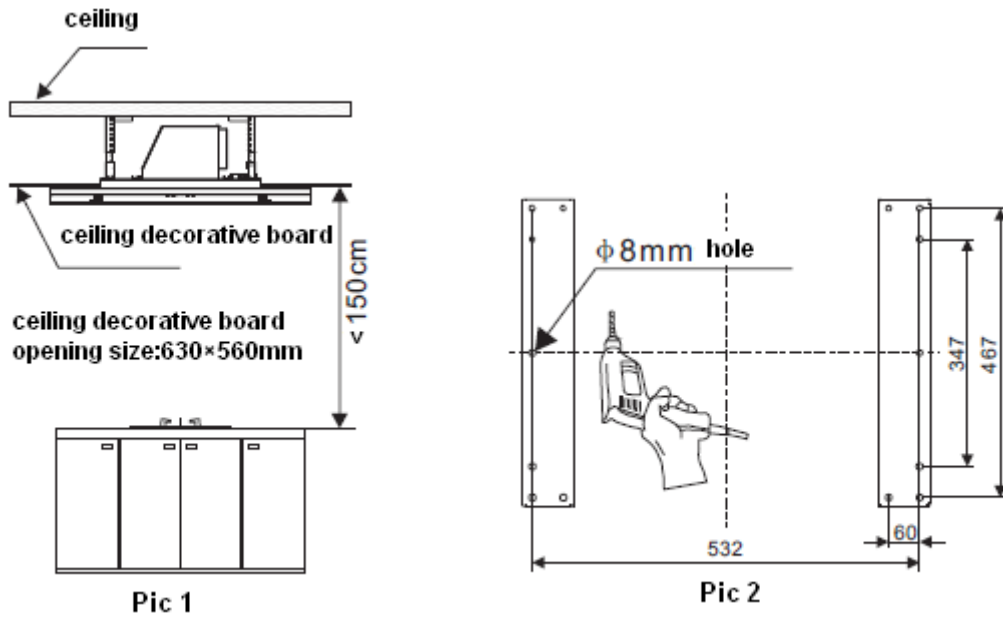


INSTALLATION

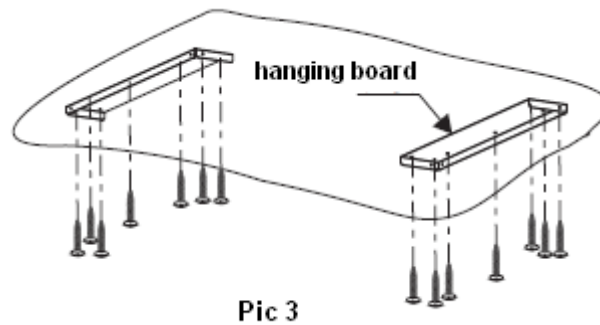
1. Before installation, turn the unit off and unplug it from the outlet.



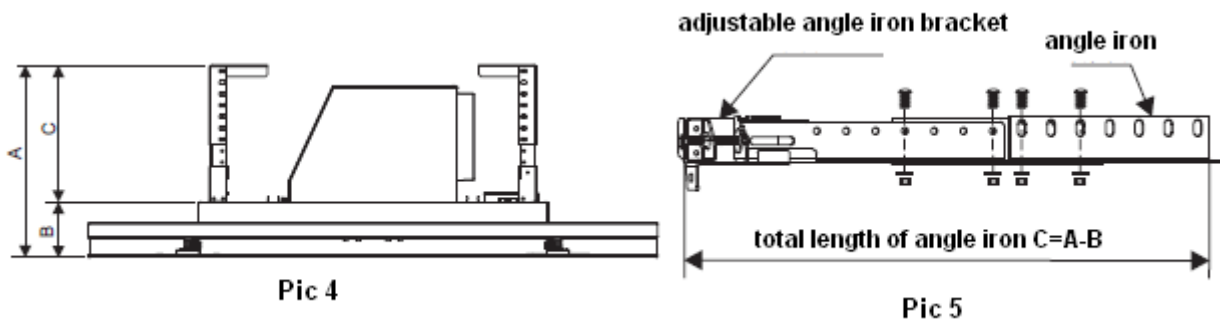
2. The cooker hood should not be placed at a distance of no more than 150cm from the cooking surface for the best performance. Refer to Pic 1.
3. The ceiling must can bear at least 120KGs weight, and the thickness of the ceiling must be ≥ 30 MM.



4. According to the size shown on pic 2, drill 14pcs $\phi 8\text{mm}$ holes on the ceiling once the installation height is determined, 14pcs explode screws (or 14pcs of ST6*40mm big flat screws + 14pcs wall plugs) will be used to fix the two hanging board on the ceiling. (see pic. 3)



5. Calculate the length of the angle iron (refer to pic 4/5), then 32pcs of M4*10 screws and M4 nut with gasket will be used to connect the angle iron into the adjustable angle iron bracket. (Make sure the overlap length of angle iron cannot less than 36mm)

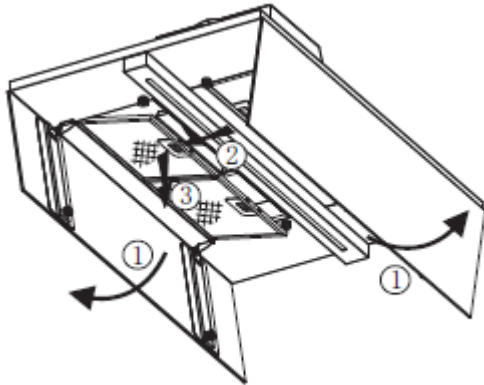


6. As pic 8 shown, choose the direction of the outlet ①/②/③/④

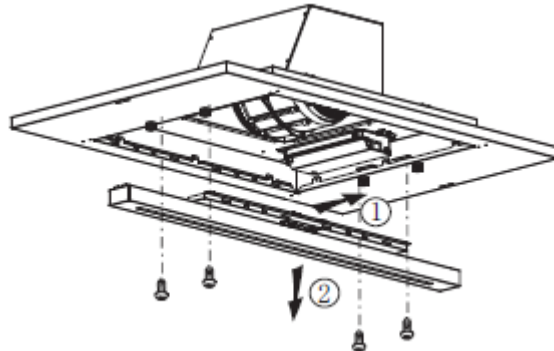
- Refer to Pic 6, open the decorative plate in order, and take out the filter.
- Refer to Pic 7, unscrew and take away the 4 pcs ST4*8mm screws that on the panel baffle assembly.

c. Unscrew the 8pcs machine silk from the bottom of the cabinet housing and rotate it by 90°/180°/270° to choose the direction of the outlet, then screw the 8 pcs machine silk to fix the housing well;

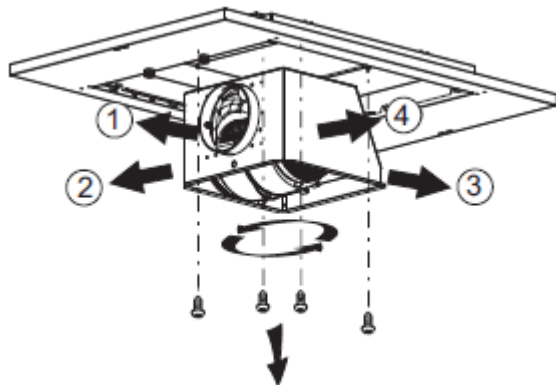
d. Install the panel decorative strip and filter well apply to the reverse order of a/b steps above, meanwhile, install the expansion pipe to the outlet(refer to pic 9).



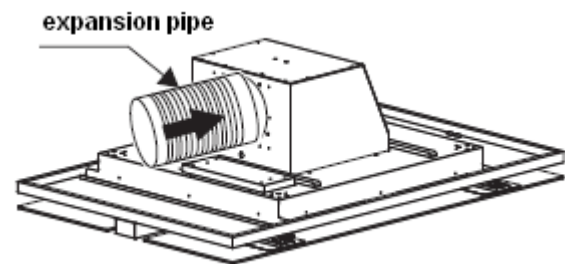
Pic 6



Pic 7

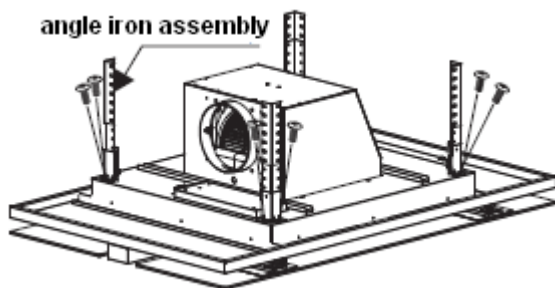


Pic 8

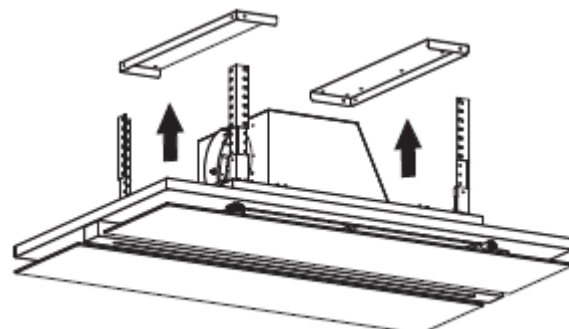


Pic 9

7. As pic 10 shown, connect the 4 adjustable angle iron bracket with the housing by 8pcs M4*12mm machine silk screw, next refer to pic 11/12, lift up the housing, use 8pcs M4*12mm machine silk screw and M4 nut with gasket to fix the housing onto the 2 hanging board, meanwhile, pull the expansion pipe outside.(Note: The expansion pipe must be fixed on the housing firmly.)



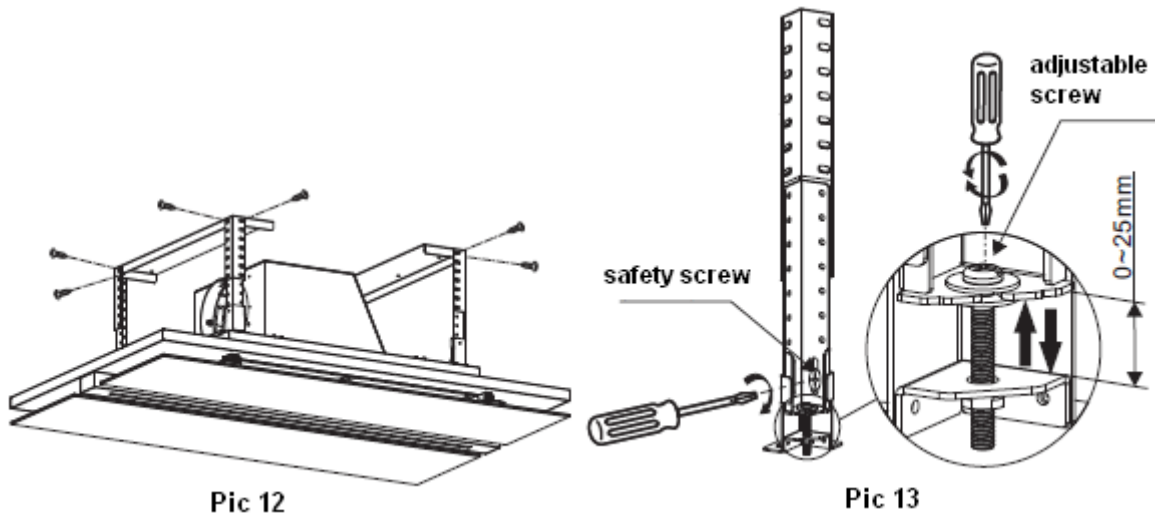
Pic 10



Pic 11

8. After installing the housing to the hanging board, use cross screwdriver or straight screwdriver to adjust the screw of the angle iron bracket, direct the housing level position and height till it is suitable. Adjust method: Adjust rang of the angle iron

bracket is 0-25mm, clockwise twist the screw of the 4 angle iron bracket, slightly move the housing upwards; meanwhile, anticlockwise twist the screw of the angle iron bracket, slightly move the housing downwards. Use the cross screwdriver to screw the safety screw tightly after the level position and height is suitable.(Refer to pic 13)



Pic 12

Pic 13

HINTS FOR EXHAUST DUCT INSTALLATION

The following rules must be strictly followed to obtain optimal air extraction:

- Keep expansion pipe short and straight.
- Do not reduce the size or restrict expansion pipe.
- When using expansion pipe always install the pipe pulled taut to minimize pressure loss.
- Failure to observe these basic instructions will reduce the performance and increase noise levels of the cooker hood.
- Any installation work must be carried out by a qualified electrician or competent person.
- Do not connect the ducting system of the hood to any existing ventilation system which is being used for any other appliance ,such as warmer tube, gas tube , hot wind tube.
- The angle of the bend of the expansion pipe should not be less than 120°; you must direct the pipe horizontally, or, alternatively, the pipe should go up from the initial point and should be led to an outer wall.
- After the installation ,make sure that the cooker hood is level to avoid grease collection at on end.
- Ensure the expansion pipe selected for installation complies with relevant standards and is fire retardant.

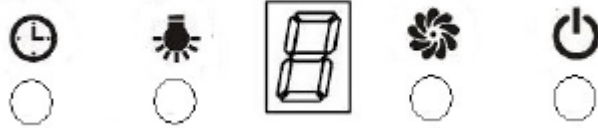
WARNING:







- For safety reason, please use only the same size of fixing or mounting screw which are recommended in this instruction manual.
- Failure to install the screws or fixing device in accordance with these instructions may result in electrical hazards.

Start Using Your Cooker Hood

Electronic button with LED display & remote






After connecting to power, the control panel will be lighted and the buzzer will sound once. The output is off and the hood enter into standby mode.		
	On/Off	Switches the ventilation on and off.
	Light	Switches the light on and off. Please note the Lamp is not under control of the on/off button.
	Ventilation speed	The motor has the low speed, mid. speed and high speed. When the hood is working with low speed, LED display will show 1. Press the button, then the hood will transfer to the mid speed for working; the LED will show 2 , press the speed button again , the hood will transfer to the high speed for working immediately. And so on...
	Timer	This is a 9 minute timer. When the hood is working, press this button to set a time for motor operation. press the button ,LED display will be shown 9.8.7.6 until 0, When LCD shows 0, the hood will be off automatically and the lamp will extinguish. If keep pressing "Timer" button, the hood will go in or go out "Timer" function.


Connecting the remote control

- ✧ A New remote control has to establish a new connection to the cooker hood when used for first time. One remote control could possibly control several cooker hood at the same time.

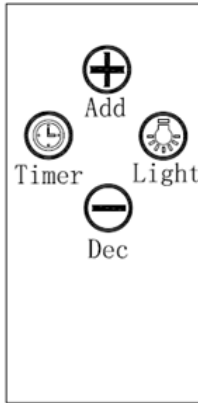
Connection process between remote control and cooker hood

- ✧ Within 15S after the cooker hood connects to the power supply, long press  for 5 seconds, the indicators light begin flashing from one button to another ,the cooker hood is in connection mode, press any button on remote control to confirm the connection. The connection process finished and the remote control can be used for speed selection, lighting and timer setting.
- ✧ If you want to connect again, you will need to clear the code that has been set up previously.
- ✧ To clear the code, press  for 5 seconds, the indicators light begin flashing from one button to another, the cooker is in connection mode. Then, press  again for

5 seconds, the previous connection code is cleared.

- ✧ When the previous code has been cleared, the cooker hood back to standby mode, press  for 5 seconds, the indicate light flashing from one button to another ,the cooker hood is in connection mode, then, press any button on remote control to confirm the connection.

Remote control





1. Lighting




press button once, the light is on, press again, the light is off. The lighting button it is controlled separately and will not affect any other functions.


2. Turning on/ Increasing motor speed key  , the motor has low, mid, high totally 3 levels.


2.1 Press  one time,the motor will work at low speed (Turning on).

2.2When the hood works at low speed, touch  again,the motor changes to mid speed.

2.3Base on the middle speed condition, touch  again, the motor is running in the high speed.

2.4Base on the high speed condition, touch  again,the hood still works at high speed.

3. Turning off/Decreasing motor speed key 

3.1  press the button and the motor begins shift to a lower speed and the LCD screen display the speed level. Repeating press the button, it keep on decreasing the motor speed till the cooker hood turning off.

4. Low speed, mid speed and high speed cannot work at the same time. When hood is on high speed, press the speed decrease, it will turn to a lower speed; when it is in low speed, press the speed increase, it will turn to a higher speed.

5. Timer



Press the button to set up the timer on/off function.

TROUBLESHOOTING

Fault	Possible Cause	Solution
Light on, but motor does not work	Fan switch turned off	Select a fan switch position.
	Fan switch failed	Contact service center.
	Motor failed	Contact service center.
Light does not work, motor does not work	House fuses blown	Reset/Replace fuses.
	Power cord loose or disconnected	Refit cord to power outlet. Switch power outlet on.
Oil leakage	One way valve and the outlet are not tightly sealed	Take down the one way valve and seal with sealant.
	Leakage from the connection of chimney and cover	Take chimney down and seal.
Lights not working	Broken/Faulty globes	Replace globes as per this instruction.
Insufficient suction	The distance between the range hood and the gas top is too far	Refit the range hood to the correct distance.
The Range hood inclines	The fixing screw not tight enough	Tighten the hanging screw and make it horizontal.

NOTE:



Any electrical repairs to this appliance must conform to your local, state and federal laws. Please contact the service centre if in any doubt before undertaking any of the above. Always disconnect the unit from the power source when opening the unit.

MAINTENANCE AND CLEANING

Caution:

- Before maintenance or cleaning is carried out, the cooker hood should be disconnected from the main power supply. Ensure that the cooker hood is switched off at the wall socket and the plug removed.



- External surfaces are susceptible to scratches and abrasions, so please follow the cleaning instructions to ensure the best possible result is achieved without damage.

GENERAL

Cleaning and maintenance should be carried out with the appliance cold especially when cleaning. Avoid leaving alkaline or acid substances (lemon juice, vinegar etc.) on the surfaces.

STAINLESS STEEL

The stainless steel must be cleaned regularly (e.g. weekly) to ensure long life expectancy. Dry with a clean soft cloth. A specialized stainless steel cleaning fluid may be used.

NOTE:

Ensure that wiping is done along with the grain of the stainless steel to prevent any unsightly crisscross scratching patterns from appearing.

CONTROL PANEL SURFACE

The inlay control panel can be cleaned using warm soapy water. Ensure the cloth is clean and well wrung before cleaning. Use a dry soft cloth to remove any excess moisture left after cleaning.

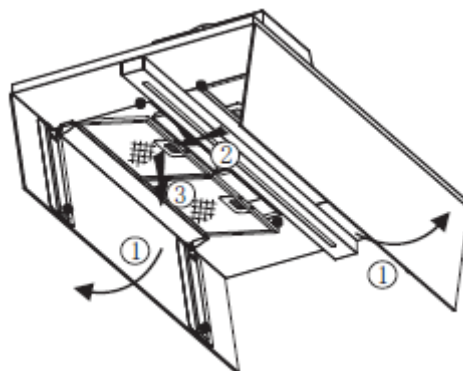
Important

Using neutral detergents and avoid using harsh cleaning chemicals, strong household detergents or products containing abrasives, as this will affect the appliance appearance and potentially remove any printing of artwork on the control panel and will void manufacturer's warranty.

GREASE MESH FILTERS

The mesh filters can be cleaned by hand. Soak them for about 3 minutes in water with a grease-loosening detergent then brush it gently with a soft brush. Please do not apply too much pressure, avoid to damage it. (Leave to dry naturally out of direct sunlight)

Filters should be washed separately to crockery and kitchen utensils. It is advisable not to use rinse aid.



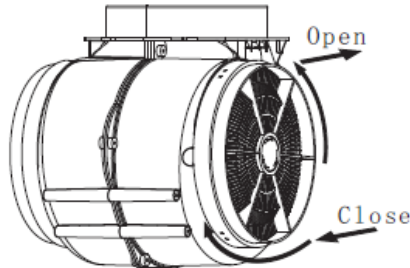
INSTALLING GREASE MESH FILTERS

- To install filters for the following four steps:
 - Angle the filter into slots at the back of the hood.
 - Push the button on handle of the filter.
 - Release the handle once the filter fits into a resting position.
 - Repeat to install all filters.

CARBON FILTER-not supplied

Activated carbon filter can be used to trap odors. Normally the activated carbon filter should be changed at three or six months according to your cooking habit. The installation procedure of activated carbon filter is as below.


In order to install the activated carbon filter, the aluminium filter should be detached first. Firstly open carefully the stainless steel cover, then press the lock of aluminium filter and remove it.



NOTE:

- Make sure the filter is securely locked. Otherwise, it would loosen and cause dangerous.
- When activated carbon filter attached, the suction power will be lowered.

BULB REPLACEMENT

<p>Important :</p> 	<ul style="list-style-type: none"> ✧ The bulb must be replaced by the manufacturer, its service agent or similarly qualified persons. ✧ Always switch off the electricity supply before carrying out any operations on the appliance. When handling bulb, make sure it is completely cool down before any direct contact to hands. ✧ When handling globes hold with a cloth or gloves to ensure perspiration does not come in contact with the globe as this can reduce the life of the globe.
--	---

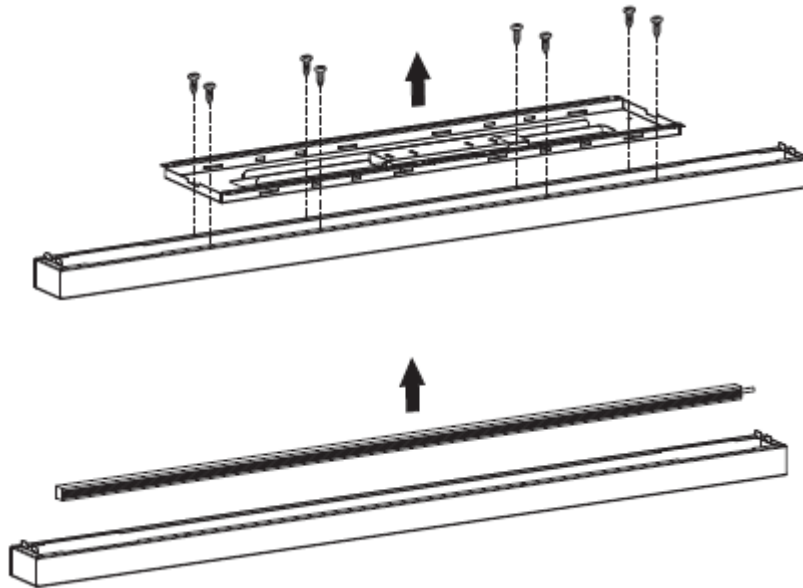
Note:

- Before changing the lights, make sure that the appliance is plugged off.
- Protect against danger when changing lights, such as wearing gloves.


Changing the lights:

1. According to the method "a" and "b" in step 6 (pic 6 & 7): open the decorative glasses, and remove the grease filter. Dismantle the panel baffle assembly, take out the terminal base of light wire and switch wire.
2. Use the screw driver to loosen 8 pcs ST4*8MM self-tapping screw from the lighting panel, take out the panel baffle.
3. Take out the light strip and replace it.
4. Apply the reverse procedure to install the light strip back.
 - **ILCOS D code for this lamp is: DSL-10-S-905**
 - Max wattage: 1 × 10 W
 - Voltage range: DC 12V

– Dimensions: length:905mm



ENVIRONMENTAL PROTECTION:

	<p>This product is marked with the symbol on the selective sorting of waste electronic equipment. This means that this product must not be disposed of with household waste but must be supported by a system of selective collection in accordance with Directive 2012/19/EU. It will then be recycled or dismantled to minimize impacts on the environment, electrical and electronic products are potentially dangerous for the environment and human health due to the presence of hazardous substances. For more information, please contact your local or regional authorities.</p>
---	---

NOTE:

The following shows how to reduce total environmental impact (e.g. energy use) of the cooking process).

- (1) Install the cooker hood in a proper place where there is efficient ventilation.
- (2) Clean the cooker hood regularly so as not to block the airway.
- (3) Remember to switch off the cooker hood light after cooking.
- (4) Remember to switch off the cooker hood after cooking.

INFORMATION FOR DISMANTLING

Do not dismantle the appliance in a way which is not shown in the user manual. The appliance could not be dismantled by user. At the end of life, the appliance should not be disposed of with household waste. Check with you Local Authority or retainer for recycling advice.