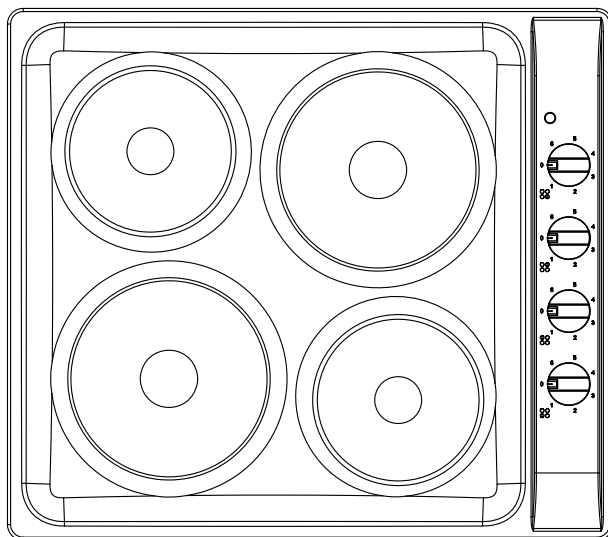


# COOKOLOGY

## Cooking Hob

Instruction Manual / Installation Manual

MODEL: SEP602BK  
SEP602SS



# DEAR CUSTOMER

Thank you for purchasing this Ocean appliance.

Before using the appliance, please read these instructions carefully and keep them in a safe place for future reference.

## **Caution!**

Do not use the appliance until you have read this instruction manual.

The hob is intended for household use only.

Due to our commitment to continuous improvement, there may be minor differences between your product and the descriptions in these instructions.

During transportation, protective packaging is used to protect the appliance against any damage. After unpacking the hob, please dispose of all elements of packaging in an environmentally friendly way.

All materials used for packing the appliance are 100% recyclable and are marked with the appropriate symbol.

## **Caution !**

During unpacking, the packaging materials, in particular the polythene bags, polystyrene pieces, etc. should be kept out of reach of children.

# CONTENTS

|                                   |    |
|-----------------------------------|----|
| IMPORTANT SAFETY INFORMATION..... | 1  |
| SPECIFICATION.....                | 4  |
| USING THE HOB.....                | 5  |
| CLEANING AND MAINTENANCE.....     | 7  |
| INSTALLATION.....                 | 8  |
| TROUBLESHOOTING.....              | 12 |

# IMPORTANT SAFETY INFORMATION



Your safety is of the utmost importance to us. Please make sure that you read this instruction booklet before attempting to install or use the appliance. If you are unsure about any of the information contained in this booklet, please contact the retailer where you purchased your unit.

## General Information

- o This appliance is designed for domestic household use and for the cooking of domestic foodstuffs.
- o **IMPORTANT:** The adjacent furniture and all materials used in the installation must be able to withstand a minimum temperature of 100°C above the ambient temperature of the room it is located in, whilst in use.
- o Certain types of vinyl or laminate kitchen furniture are particularly prone to heat damage or discolouration at temperatures below the guidelines given above.
- o Any damage caused by the appliance being installed in contravention of this temperature limit, will be the liability of the owner.
- o Your new appliance is guaranteed against electrical or mechanical defects, subject to certain exclusions that are noted in our Conditions Of Guarantee. The foregoing does not affect your statutory rights.
- o The use of this appliance for any other purpose or in any other environment without the express agreement of the manufacturer will invalidate any warranty or liability claim.
- o You should not use this appliance to store items on, or as a work surface.
- o Do not modify the appliance as this will invalidate your warranty and might pose a risk to persons using the appliance.
- o You should not store or place flammable or highly flammable liquids/materials on top of or near to the appliance. Items made from aluminium, plastic or plastic film should also be kept away from the appliance, as they may fuse to the surface.
- o Repairs may only be carried out by authorised service personnel.

## Child Safety

- o We strongly recommend that babies and young children are prevented from being near to the appliance and should not be allowed to touch the appliance at any time. During and after use, all surfaces will be hot.
- o If it is necessary for younger family members to be in the kitchen, please ensure that they are kept under close supervision at all times.
- o Older children should only be allowed to utilise the appliance when supervised.

## General Safety

- o The appliance should only be installed and connected by a suitably qualified person.
- o Care should be taken to ensure that the units and work surfaces that you build the appliance into, meet with the relevant standards.
- o If you notice any scratches, splits or cracks in the hob surface, you should immediately switch off the appliance and disconnect it from your mains supply. Otherwise there is the risk of electric shock occurring.
- o This appliance will become hot during use and will retain heat after use. Use caution when using the appliance to avoid being burned.
- o This appliance is not intended for use by persons (including children) with reduced physical, sensory or mental capabilities, or lack of experience and knowledge, unless they have been given supervision or instructions concerning the use of the appliance by a person responsible for their safety.

## During use

- o Any film or stickers that are present on the hob surface when it is delivered should be removed before use.
- o Care should be taken when utilising the appliance, otherwise there is a risk of burns.
- o You should not allow the electrical connection cables to come into contact with the hob surface when it is hot or any hot cookware.
- o If fat or oil overheats, then it can ignite extremely quickly. For this reason, when cooking with fat or oil, the appliance should not be left unattended.
- o Make sure that all of the cooking zones are switched off after use.

## Cleaning

- o Cleaning of the hob should be carried out on a regular basis.
- o **IMPORTANT:** Before attempting to clean the appliance, it should be disconnected from the mains and allowed to cool.
- o Great care should be taken whilst using this appliance and when following the cleaning procedure.
- o You should not use a steam jet or any other high pressure cleaning equipment to clean the appliance.

## Installation



This appliance must be correctly installed by a suitably qualified person, strictly in accordance with . the manufacturer's instructions. Please see the specific section of this booklet that refers to installation.

We cannot be held responsible for injury or damage, to persons or property, as a result of improper use or installation of this appliance.

### **Declaration of conformity**

o The manufacturer declares that the hob is built using certified materials and requires the appliance to be installed in accordance with the standards currently in force. This appliance must be used by a trained person for domestic purposes only.

### **To avoid damaging your appliance**

o The hob surface can be damaged by objects falling onto it.

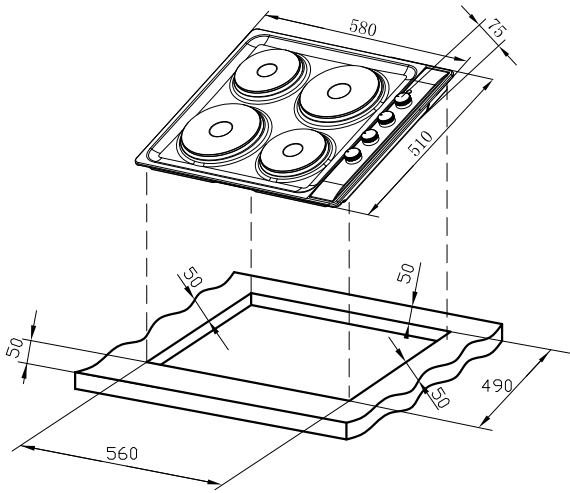
o The edge of the surface can be damaged by knocks from cookware.

o Cast iron and cast aluminium cookware with damaged bases may scratch the hob surface if they are dragged across it.

o Pans should be lifted on and off the hob surface and not dragged.

o Cooking zones should not be switched on without cookware placed on it. Also the cookware should not be empty.

# SPECIFICATION



## Product dimensions:

Depth: 510 mm  
 Width: 580 mm  
 Height: 75 mm

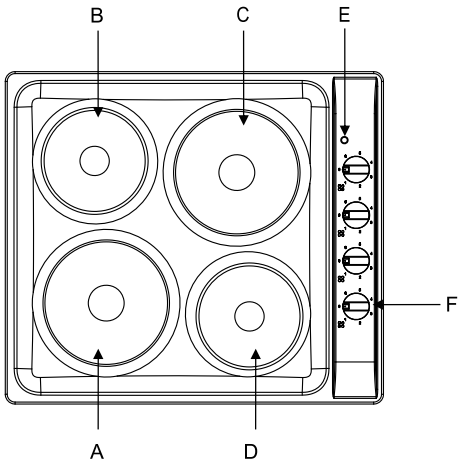
## Aperture dimensions:

Depth: 490 mm  
 Width: 560 mm

## Product specification:

- o 1 x 2kW rapid plate (Ø 188 mm)
- o 1 x 1.5kW standard plate (Ø 188 mm)
- o 2 x 1kW standard plate (Ø 155 mm)

## Hob Layout



- A) 2.00 kW rapid plate
- B) 1.00 kW standard plate
- C) 1.50 kW standard plate
- D) 1.00 kW standard plate
- E) Power on indicator light
- F) Control knobs

|                           |                               |
|---------------------------|-------------------------------|
| <b>Electrical details</b> | 220-240V~/380-415V 2N~50/60Hz |
| <b>Max Rated Inputs:</b>  | 5.50 kW                       |
| <b>Power cable:</b>       | 5 core x 1.5 mm <sup>2</sup>  |

For future reference please record the following information which can be found on the rating plate together with the date of purchase from your sales invoice. The rating plate of your hob is located underneath of the appliance. Therefore please record this information before you install your appliance.

## USING THE HOB

### Before first use



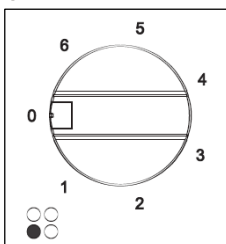
**IMPORTANT:** You should clean the hob surface and the solid plates (see "Cleaning and maintenance" section).

- o You should switch on one cooking zone at a time, for 5 minutes at the maximum setting. This will help to eliminate any manufacturing smell that exists and evaporate any humidity that has formed on the heating elements during transit.
- o For this process, an appropriately sized saucepan containing cold water should be placed on the zone in question.
- o Do not burn off more than one zone at a time.

### Control knobs

- o All operations are performed by means of the 4 control knobs that can be found on the right hand side of the hob.
- o The control knobs can be turned either clockwise or anticlockwise to select a heating level. The numbers around the outside of each control knob indicate the power level that you have set the zone to.
- o A marking next to each control knob indicates which zone it controls.

### Switching on a zone and setting a power level





- o Turn the control knob of the zone that you wish to cook on clockwise or anticlockwise until it reaches the power level that you desire.
- o Each cooking zone can be adjusted between 1 and 6, one being the coolest zone setting and six being the hottest zone setting.
- o When you have finished cooking, make sure that you turn the control knob to the "O" (off) position.

### **Hob Guidelines**

- o The first few times the hob is used, it may give off an unpleasant, burning smell. This smell will disappear completely with repeated use.
- o The hob surface is fitted with cooking areas of different diameter and power rating.
- o The positions where the heat will radiate from are clearly marked on the hob. The saucepans must be positioned exactly on these zones to produce efficient heating. Pans should have the same diameter as the cooking zone that they are being used on.
- o You should not use saucepans with rough bases, as these can scratch the solid plates.
- o Before use, make sure that the bases of the saucepans are clean and dry.
- o When cold, the bottom of the pans should be slightly concave, as they expand when hot and lie flat on the surface of the hob. This will allow the heat to transfer more easily.
- o The best thickness for the bottom of the pans is 2 - 3 mm of enamelled steel and 4 - 6 mm for stainless steel with sandwich type bases.
- o If these rules are not followed, there will be a loss of heat and energy. Heat not absorbed by the saucepan, will spread to the hob, frame and surrounding cabinets.
- o Preferably cover pans with a lid to permit cooking at a lower heat.
- o Always cook vegetables and potatoes, etc. in as little water as possible to reduce cooking times.
- o Food or liquid that has high sugar content may damage the hob if it comes into contact with the hob surface. Any spillages should be wiped up immediately, however this may not prevent the hob surface from becoming damaged.
- o **IMPORTANT:** The hob surface is tough; however it is not unbreakable and can be damaged. Especially if pointed or hard objects are allowed to fall onto it with some force.
- o **DO NOT USE THE HOB IF THE SURFACE IS BROKEN OR CRACKED. YOU SHOULD CONTACT THE CUSTOMER SERVICE DEPARTMENT IMMEDIATELY.**

# CLEANING AND MAINTENANCE



Cleaning and maintenance operations must only be carried out when the hob is cool.

The appliance should be disconnected from your mains supply before commencing any cleaning process.

## Cleaning the Hob



Any residues that are left on the cooktop surface from cleaning agents will damage it. You should remove any residues with water and a little washing up liquid.



Abrasive cleaners or sharp objects will damage the cooktop surface; you should clean it using water and a little washing up liquid.



Although it is easier to clean some deposits whilst the cooktop surface is still warm, you should take care not to burn yourself if cleaning the cooktop surface when it is still warm.

## After each Use

- o Wipe the appliance with a damp cloth and some washing up liquid.
- o Dry the appliance surface with a clean cloth.
- o As the hob surface is made from stainless steel, a suitable stainless steel cleaner should be used.
- o **IMPORTANT:** If a stainless steel cleaner is not used regularly, it is possible for the surface of the hob to discolour over a period of time.

## Maintaining the Solid Plates

- o If something is spilt onto the plates themselves, then it can be removed using a soft brush, plastic or nylon scourer and warm water.
- o To keep the solid plates in good condition, you should put a little olive oil onto a kitchen towel and rub it onto the surface of the plates. The next time the plates are used, this may produce a little smoke.
- o Alternatively you can use a hotplate conditioner; these products can normally be found in larger supermarkets and hardware stores. The manufacturer's instructions should be followed when using these products.
- o **IMPORTANT:** If the solid plates are not maintained regularly with olive oil or a hotplate conditioner, then they may rust.

# INSTALLATION



The installation must be carried out by a suitably qualified person, in accordance with the current version of the following.

- o AS/NZS 3000: 2007 Wiring Regulations
- o 2010 Electricity Safety Regulations

## Positioning



The adjacent furniture must be able to withstand a minimum temperature rise of 100°C above ambient temperature of the room it is located in, during periods of use.

This appliance is classified as Class 3 and therefore is to be built into a kitchen unit (depending on size) or 600 mm worktop that is at least 30 mm thick. The following minimum clearance distances must be observed:-

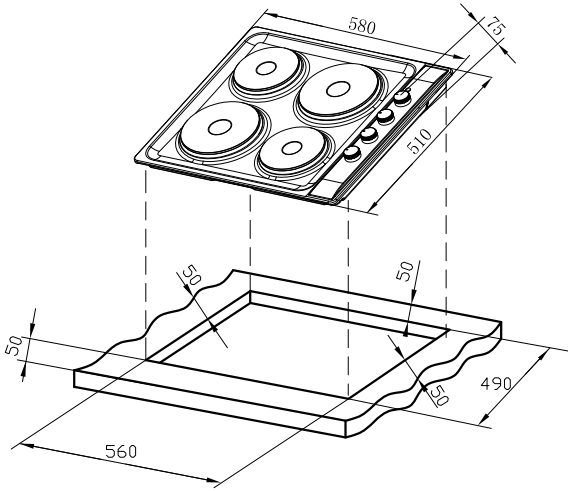
- o 700 mm between the hob surface and the underside of any horizontal surface above it, for example a cooker hood.
- o 50 mm clearance around the sides and front of the appliance.
- o 50 mm clearance between the back of the hob surface and the wall behind it, measured from the cut-out.
- o If the hob is positioned so that the right or left hand side of the appliance will be near to the edge of a kitchen unit. There must be a gap of at least 150 mm between the side of the hob and the vertical surface of the kitchen unit.

## Unpacking the Appliance

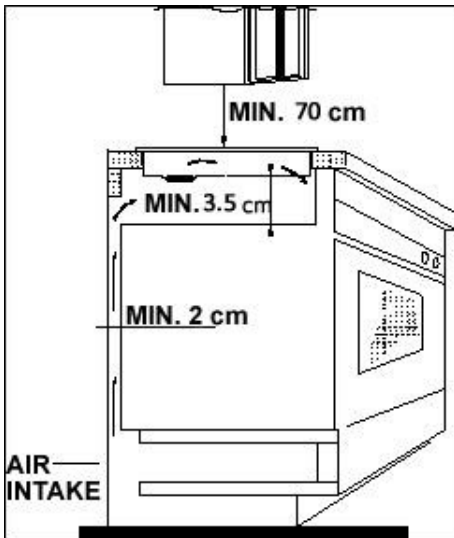
When unpacking the appliance please check that the following items are contained within the packaging:

- 1 Hob
- 1 Installation and instruction manual
- 4 Fixing screws
- 4 Fixing brackets

## Installing the Appliance

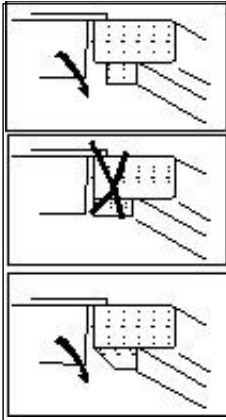


o Cut a hole in the worktop that corresponds with the drawing shown above.



o **IMPORTANT:** You must observe the ventilation requirements shown in the drawing opposite.

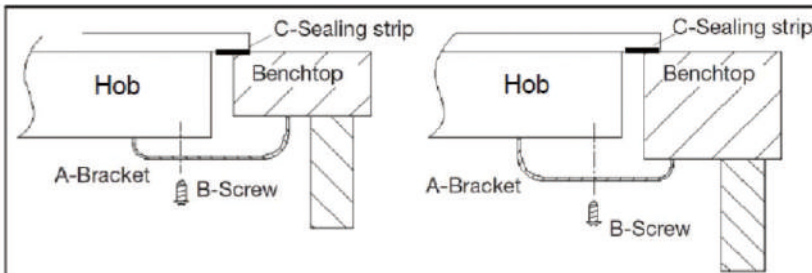
o **IMPORTANT:** Do not use a silicon sealant to seal the appliance against the aperture. This will make it difficult to remove the hob from the aperture in future, particularly if it needs to be serviced.



**IMPORTANT:** There are ventilation holes around the outside of the hob. YOU MUST ensure that these holes are not blocked by the worktop, when you put the hob into position (see drawing opposite).

- o Carefully turn the hob upside down and place it on a cushioned mat.
- o The supplied brackets need to be fitted to each of the four corners on the underside of the hob.

- o Place a bracket onto each corner, ensuring that the outer hole lines up with the hole on the corner of the hob.
- o Fasten the bracket to the corner of the hob with a screw.
- o Place the long screw into the fixing hole on the outer edge of the bracket but do not fully tighten.
- o Carefully turn the cooktop back over and then gently lower it into the aperture hole that you have cut out.
- o When the hob is correctly positioned, tighten the long screws to fix the hob securely in the aperture hole. These screws MUST be securely tightened.



- (A)Bracket
- (B)Screw
- (C)Sealing strip

## Electrical connection



YOUR HOB IS INTENDED FOR FITTED AND PERMANENT INSTALLATION.

o Cable type: 5 core x 1.5 mm<sup>2</sup> (2 Live, 2 Neutral and 1 Earth wire).

o Before connecting the appliance, make sure that the supply voltage marked on the rating plate corresponds with your mains supply voltage.

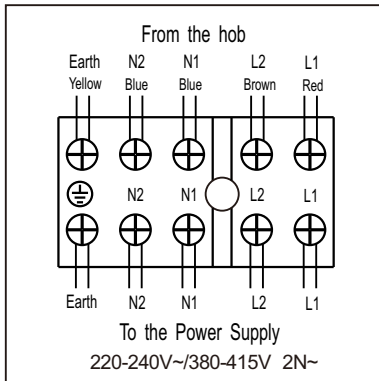
The installation must be carried out by a suitably qualified person, in accordance with the current regulations.

o **WARNING:** THIS APPLIANCE MUST BE EARTHED.

o The hob must be wired into a double phase power supply, with 2 Live and Neutral, having 3 mm contact separation and placed in an easily accessible position adjacent to the appliance. The spur outlet must still be accessible even when your cooktop is located in its housing.



For safety, the Hob must be earthed reliably.



o The wiring in the mains lead is coloured as follows:

**Brown or Black** Live

**Blue or Grey** Neutral

**Green and yellow** Earth

o As the colours of the wires in the appliance's mains lead may not correspond with the coloured markings identifying the terminals in your spur box, please proceed as follows:

The brown wire must be connected to the terminal marked "L" (live), or coloured Black.

The blue wire must be connected to the terminal marked "N" (neutral), or coloured Grey.

The green and yellow wire must be connected to the terminal marked "E" (earth), or by the earth symbol, or coloured green and yellow.

# TROUBLESHOOTING

o The cooking zones are not functioning or will not switch on.

\*Check that the mains electrical supply to the appliance is correct and working. Check the mains fuse.

o A humming sound is heard when a cooking zone is selected.

\*This is normal; the sound will disappear when the zone heats up.

o The cooking zones have become discoloured

\*This may have been caused by burnt on food and will not affect the working of the appliance. However you should make sure that the cleaning instructions are being followed regularly.



**IMPORTANT:** If your appliance appears not to be operating correctly, then you should disconnect it from your mains supply and then contact the Customer Care Department.

## DO NOT ATTEMPT TO REPAIR THE APPLIANCE YOURSELF.

Please note that if a service technician is asked to attend whilst the product is under guarantee and finds that the problem is not the result of an appliance fault, then you may be liable for the cost of the call out charge.

The appliance must be accessible for service personnel to perform any necessary repair. If your appliance is installed in such a way that service personnel is concerned that damage will be caused to the appliance or your kitchen, then they will not complete a repair.

This includes situations where appliances have been tiled in, sealed in with sealant, have wooden obstructions placed in front of the appliance - like plinths, or any installation other than the one specified by us has been completed.

Please refer to the conditions of guarantee in this instruction booklet.

## DISPOSAL INFORMATION



According to the Waste Electrical and Electronic Equipment (WEEE) directive, WEEE should be separately collected and treated. The above symbol on the product or its packaging indicates that this product is not to be handled as normal household waste and needs to be taken to a recycling centre for electrical and electronic goods. By correctly disposing of this product, you are contributing to the protection of the environment and to the health of your fellow human beings. Improper disposal endangers health and the environment. Further information about the recycling of the product may be obtained from your local council, refuse collection department or the store where you purchased the product.