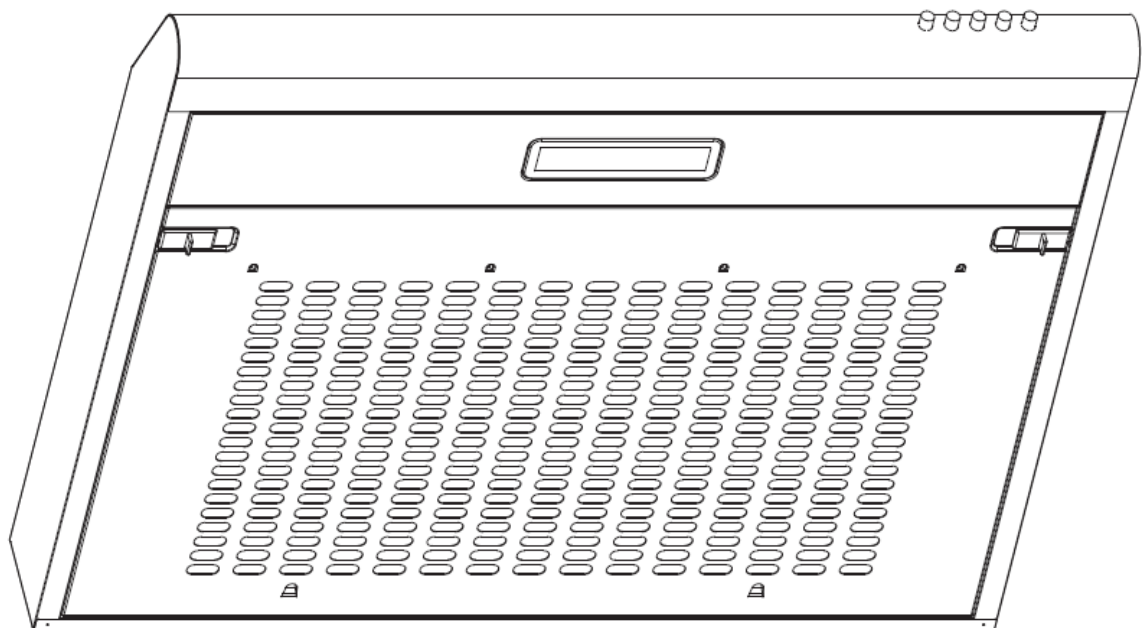


---

# COOKOLOGY

VISOR600SS VISOR600BK  
VISOR600WH

## Instruction manual



---

## CONTENT

- 1..... General
- 2..... Safety precaution
- 3..... Warning
- 4..... Installation instructions
- 5..... Operation
- 6..... Air ventilation setting
- 7..... Use and maintenance
- 8..... Trouble shooting

## **1. General**

Carefully read the following important information regarding installation, safety and maintenance. Keep this information booklet accessible for further consultations.

The appliance has been designed as a exhausting version (external exhaust ) or as a filter version (internal air recycle) cooker hood.

## **2. Safety precaution**

Take care when the cooker hood is operating simultaneously with an open fireplace or burner that depend on the environment and are supplied by other than electrical energy, as the cooker hood removes the air from the environment which a burner or fireplace need for combustion.

The negative pressure in the environment must not exceed 4 Pa ( $4 \cdot 10^{-5}$  bar).

Provide adequate ventilation in the environment for a safe operation of the cooker hood.

Follow the local laws applicable for external air evacuation.

## **3. Warning**

This appliance can be used by children aged from 8 years

and above and persons with reduced physical, sensory or mental capabilities or lack of experience and knowledge if they have been given supervision or instruction concerning use of the appliance in a safe way and understand the hazards involved. Children shall not play with the appliance. Cleaning and user maintenance shall not be made by children without supervision

If the supply cord is damaged, it must be replaced by the manufacturer, its service agent or similarly qualified persons in order to avoid a hazard.

The instructions shall state the substance of the following:

- there shall be adequate ventilation of the room when the range hood is used at the same time as appliances burning gas or other fuels (not applicable to appliances that only discharge the air back into the room);
- the details concerning the method and frequency of cleaning;
- there is a fire risk if cleaning is not carried out in accordance with the instructions;

- do not flambé under the range hood;
- CAUTION: Accessible parts may become hot when used with cooking appliances.

The installation instructions shall include the substance of the following:

- the air must not be discharged into a flue that is used for exhausting fumes from appliances burning gas or other fuels (not applicable to appliances that only discharge the air back into the room);
- the minimum distance between the supporting surface for the cooking vessels on the hob and the lowest part of the range hood. (When the range hood is located above a gas appliance, this distance shall be at least 65 cm.
- regulations concerning the discharge of air have to be fulfilled.

The installation instructions for range hoods with accessible metallic enclosures of class II construction shall

include details that indicate the location and maximum permitted lengths for any fixing or mounting screw or other fixing device that penetrates into the range hood to attach an accessory such as a fascia or duct fitting.

Where fixing or mounting screws, or other fixing devices are used, that penetrate into the range hood with an accessible metallic enclosure of class II construction, to attach an accessory, the instructions shall indicate the required location of these screws or fixing devices and include the substance of the following warning.

Warning: Failure to install the screws or fixing device in accordance with these instructions may result in electrical hazards.

#### **4. Installation instructions**

Way one:

4.1 The cooker hoods shall be placed at a distance of 65-75cm from the cooking surface. See Pic. 1

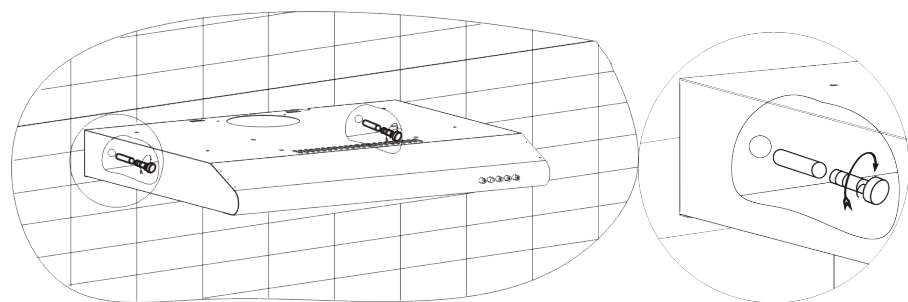
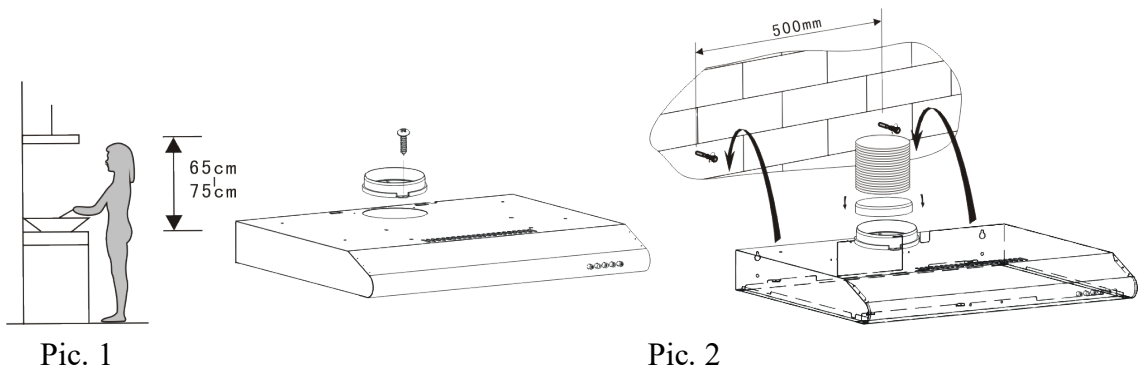
4.2 To install onto the wall drill 2 holes of  $\text{Ø}8\text{mm}$  on a suitable place according with the centre distance of hole in the back of the cooker hood.

4.3 Insert the plug into the holes.

4.4 Insert the screws into the plugs and tight. Put the cooker hood onto the tighten screws See Pic. 2

4.5 Fix the cooker hood with safety screw, see Pic. 3. The two safety vents are positioned on the back casing, with diameter of 6mm.

4.6 Put the one way valve onto the cooker hood.

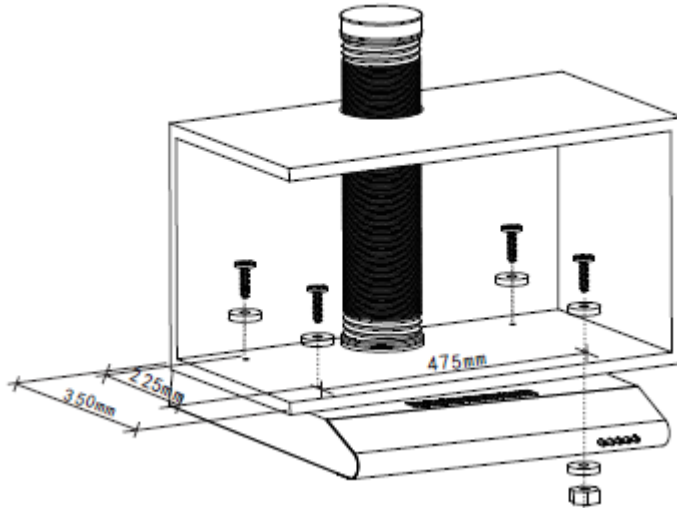


Way two:

4.1 Drill 4 holes of 6mm diameter at the bottom of the hanging cupboard

4.2 Put the one way valve on the cooker hood, then install the cooker hood

on the bottom of the cupboard, tighten the hood with enclosed material (4 screws, 8 flat gaskets and 4 nuts).



Note:

- 1.The extensible pipe are optional accessory, not supplied.
- 2.Take off protection film before installation.
- 3.There are 2 methods for ventilation , including ' horizontal ventilation' and ' vertical ventilation'. Please pay attention to the ventilation method when installation. See Pic. 6

Vertical ventilation: See Pic. 6A, please use tool take out the round cover before using, and the air can be vented from top

horizontal ventilation: See Pic. 6B, please use tool take out the round cover before using, and the air can be vented from back.

The square air outlet for horizontal ventilation is not supplied.

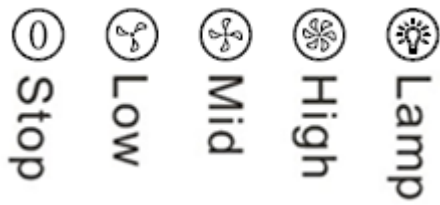




Pic 6

## 5. Operation

Push button



1. Connect the appliance to the mains.
2. Press the button “Stop”, the motor is stopped then
3. Press the button “Low”, the motor is running at low speed. Press the button “Mid”, the motor is running at medium speed. Press the button “High”, the motor is running at high speed.
4. Press the button “Light”, both lights start shining .Press the button again; the lights are switched off then.

## 6. Air ventilation setting

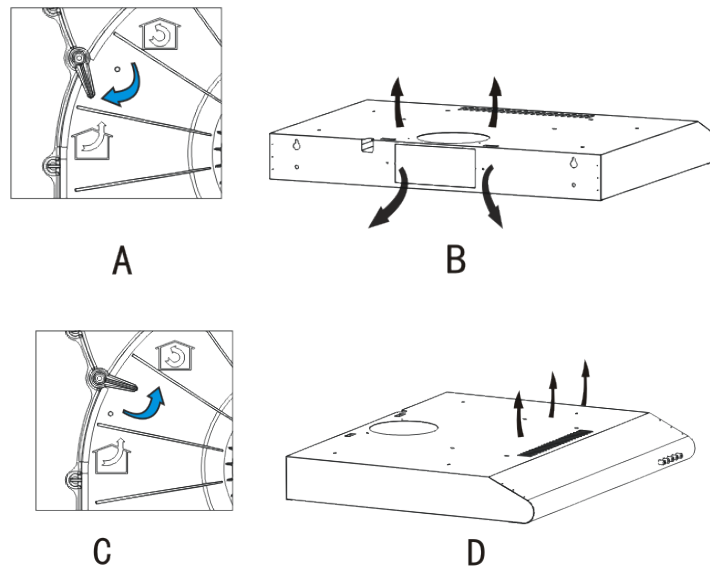
6.1 Outdoor exhausting: Turn the adjuster to outdoor position(pic.7A), install the outlet, turn on the cooker hood, then the air will be vented from

the outside outlet. See pic 7C

6.2 Recycling: the recycling mode with carbon filter ,Turn the adjuster to indoor position (pic.7B), install the outlet cover, turn on the cooker hood, then the air can be vented from the inside outlet. See Pic 7D

Note: The charcoal filter is mounted on the back of the grill and must be changed once three month.

Warning: the charcoal cannot be washed or recycled. It should be changed at most after 120 hours using. The carbon filter shouldn't be exposed to heat.



Pic.7

## 7. Use and maintenance

7.1 It is recommended to operate the appliance prior to cooking.

7.2 It is recommended to leave the appliance in operation for 15 minutes after cooking is terminated in order to completely eliminate cooking

vapours and odours.

7.3 The proper function of the cooker hood is conditioned by the regularity of the maintenance operations, in particular, the active carbon filter.

7.4 The anti-grease filters capture the grease particles suspended in the air, and are therefore subject to clogging according to the frequency of the use of the appliance.

7.5 In order to prevent fire hazard, it is recommendable to clean the filter at a maximum of 2 months by carrying out the following instructions. See Pic 8

Soak them for about 3 minute in hot water (40-50 degrees) with a grease-loosening detergent then brush it gently with a soft brush. Please do not apply too much pressure, avoid damaging it.

Rinse thoroughly with warm water and leave to dry.

Please do not use abrasive detergent for it will damage the hood;

The aluminum panels may alter in color after several washes. This is not cause for customer complaint nor washable nor re-useable and must be replaced at maximum every four months. The saturation of the cooking carbon filter depends on the frequency of use of the appliance, by the type of cooking and regularity of cleaning the anti-grease filters.

7.6 The cooker hood must regularly cleaned on both the inside and outside with hot water plus non corrosive detergent (AT LEAST ONCE A MONTH)

To protect the main body from corrosion over a long period of time

Attention! Please do not use abrasive detergent or alcohol as it will damage the body.

Attention! Keep the motor and other spare parts free from water, as this will cause damage to the appliance.

Attention! Keep the motor and other spare parts free from water, as this will cause damage to the appliance.

Attention! Before cleaning the appliance please remember to cut off the power.

### 7.7 Changing bulbs

Attention! Make sure that the bulbs are cool before touching them.

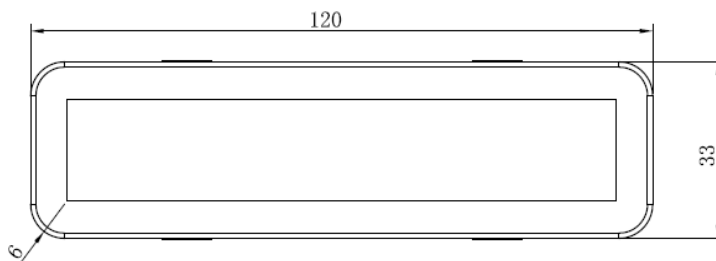
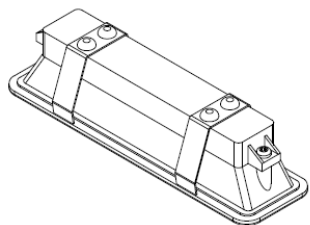
Attention! should the lamps not work, make sure they are well tightened

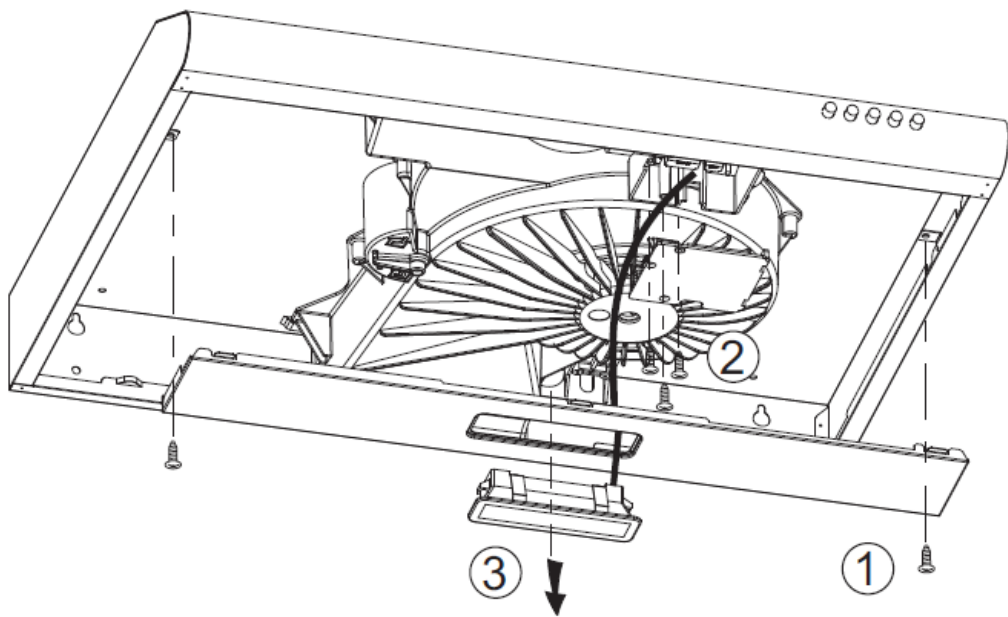
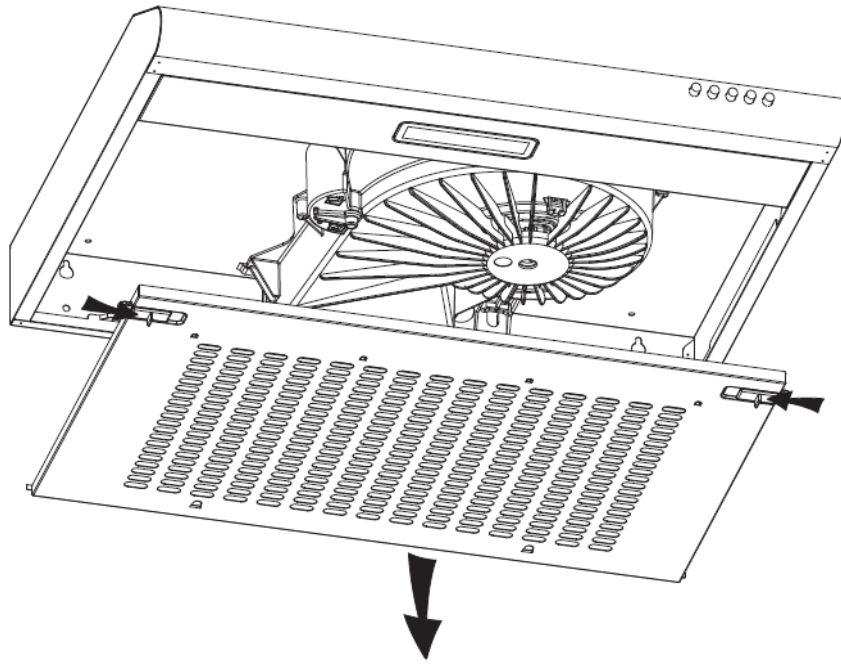
Note: Prior to any maintenance operation ensure that the cooker hood is disconnected from the power supply.

Note: If the plug or cord is damaged, please replace it with special soft cord.

## **Changing the light**

- 
- Loosen the 2pcs ST4\*8mm self-tapping screw from the lighting panel, take out the lighting fixture.
  - Disassembly the 3pcs ST3\*12mm screws on the terminal box cover and take down the wire cover.
  - Pull out the terminal from the PCB terminal block, disconnect the wire connector and replace the lamp.
  - **ILCOS D code for this lamp is: DBS-2/65-H-120/33**
    - LED modules –rectangle lamp
    - Max wattage: 2 W
    - Voltage range: AC 220-240V
    - Dimensions:





## 8. Trouble shooting

Symptom	Solution
The cooker hood does not start.	<ul style="list-style-type: none"> <li>● Check that the hood is connected to the electricity supply.</li> <li>● Check that the fan speed control is set properly.</li> </ul>
The cooker hood is not working Effectively.	<ul style="list-style-type: none"> <li>● The fan speed is not set high enough.</li> <li>● The grease filter is dirty.</li> <li>● The kitchen is not ventilated well enough.</li> <li>● If the hood is set for recirculation, check that the carbon filters have not expired.</li> <li>● If the hood is set for extraction, check that the ducting and outlets are not blocked.</li> </ul>
The cooker hood has switched off during operation.	<ul style="list-style-type: none"> <li>● The safety cut-out device has been tripped.</li> <li>● Turn off the hob and then wait for the device to reset.</li> <li>● Note that if you have installed your cooker hood too low, this will happen.</li> <li>● If it happens frequently, it will be damaged.</li> </ul>

### ENVIRONMENTAL PROTECTION:



This product is marked with the symbol on the selective sorting of waste electronic equipment. This means that this product must not be disposed of with household waste but must be supported by a system of selective collection in accordance with Directive 2002/96/EC. It will then be recycled or dismantled to minimize impacts on the environment, electrical and electronic products are potentially dangerous for the environment and human health due to the presence of hazardous substances.

For more information, please contact your local or regional authorities.

Note:

- a. In order to reduce the environmental impact (e.g. energy use) of the cooking process, please be sure that your product is installed according to the user manual, keep the operation place ventilated, keep the extraction duct be direct and short as possible as it can be.
- b. For the product with manual operation mode, we suggest switch the motor off within 10 minutes after finishing the cooking process.
- c. Please be sure to dismantle related components according to the user manual when maintaining for non-destructive, protect the parts to make the re-installed work can be favoring and avoid damage.