

COOKOLOGY

User manual for you

Built In Gas Hob

Model

GH306SS

GH309SS

GH601SS

GH700SS

GGH700BK

GGH705BK

GH705SS


GGH301BK

GGH306BK

NOTE: This User Instruction Manual contains important information, including safety & installation points, which will enable you to get the most out of your appliance. Please keep it in a safe place so that it is easily available for future reference; for you or any person not familiar with the operation of the appliance.

Environmental note

This appliance is marked according to the European directive 2002/96/EC on Waste electrical and Electronic Equipment (WEEE). By ensuring this product is disposed of correctly, you will help prevent potential negative consequences for the environment and human health, which could otherwise be caused by inappropriate waste handling of this product.

The symbol  on the product, or on the documents accompanying the product, indicates that this appliance may not be treated as household waste. Instead it shall be handed over to the applicable collection point for the recycling of electrical and electronic equipment.

Disposal must be carried out in accordance with local environmental regulations for waste disposal.

For more detailed information about treatment, recovery and recycling of this product, please contact your local city office, your household waste disposal service or the shop where you purchased the product.



- The packaging materials that uses are environmentally friendly and can be recycled.
- Please discard all packaging material with due regard for the environment.

Important safety information

General Information

- **IMPORTANT:** *The adjacent furniture and all materials used in the installation **must** be able to withstand a minimum temperature of 85°C above the ambient temperature of the room it is located in, whilst in use.*
- Certain types of vinyl or laminate kitchen furniture are particularly prone to heat damage or discolouration at temperatures below the guidelines given above.
- Any damage caused by the appliance being installed in contravention of this temperature limit, **will be the liability of the owner.**
- You should not use this appliance to store items on or as a work surface.
- **Repairs may only be carried out by service engineers or their authorised service agent.**

Child Safety

- strongly recommend that babies and young children are prevented from being near to the appliance and not allowed to touch the appliance **at any time.** During and after use, all surfaces will be hot.

During use

- Any film or stickers that are present on the hob surface when it is delivered should be removed before use.
- Care should be used when utilising the appliance, otherwise there is a risk of burns being caused.
- You should not allow the electrical connection cables to come into contact with the hob surface when it is hot or any hot cookware.
- If fat or oil overheats, then it can ignite extremely quickly. For this reason, when cooking with fat and oil the appliance should not be left unattended.

- Make sure that all of the cooking zones are switched off after use.

Cleaning

- Cleaning of the hob should be carried out on a regular basis.
- **IMPORTANT:** *Before attempting to clean the appliance, it should be disconnected from the mains and cool.*
- Great care should be taken whilst using this appliance and when following the cleaning procedure.
- You should not use a steam jet or any other high pressure cleaning equipment to clean the appliance.

Installation



This appliance must be correctly installed by a GASSAFE registered installer, strictly in accordance with the manufacturer's instructions and the relevant British Standards. Please see the specific section of this booklet that refers to installation.

- ***declines any responsibility for injury or damage, to person or property, as a result of improper use or installation of this appliance.***
- ***If the appliance is being used in a Leisure Accommodation Vehicle, the requirements of N 721 MUST be followed.***
- ***DO NOT recommend that this appliance is installed on any type of marine vessel.***

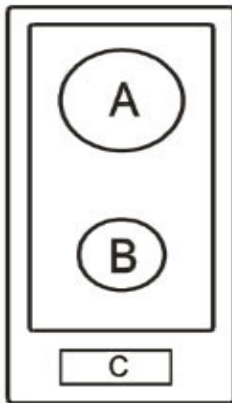
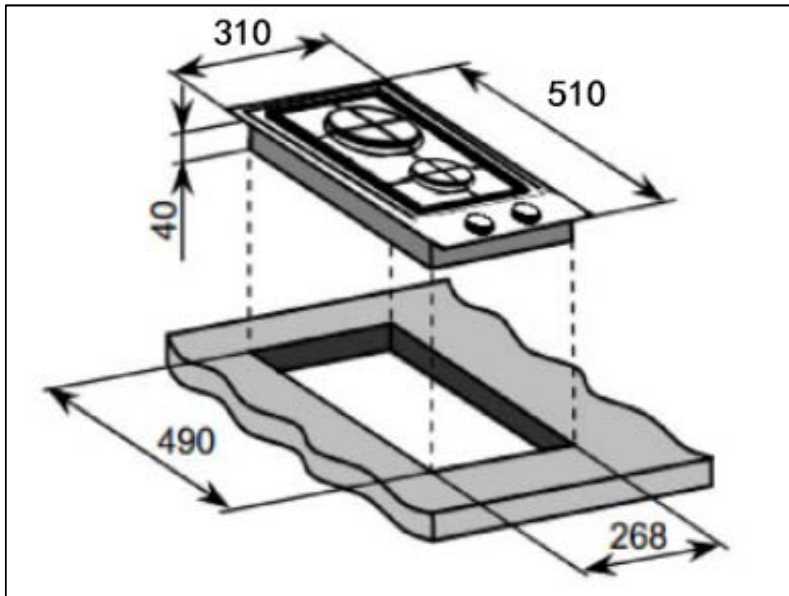
Declaration of conformity

This appliance complies with the following European Directives:

- 2014/35/EU
- 2016/426/EU relating to appliances burning gaseous fuels
- 1935/2004/CE 90/128/EEC This appliance is suitable to come in contact with food
- 2014/30/EU

Specifications

GH306SS / GH309SS / GGH306BK



Product specifications:

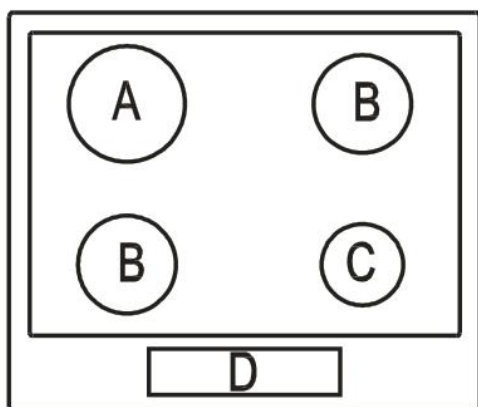
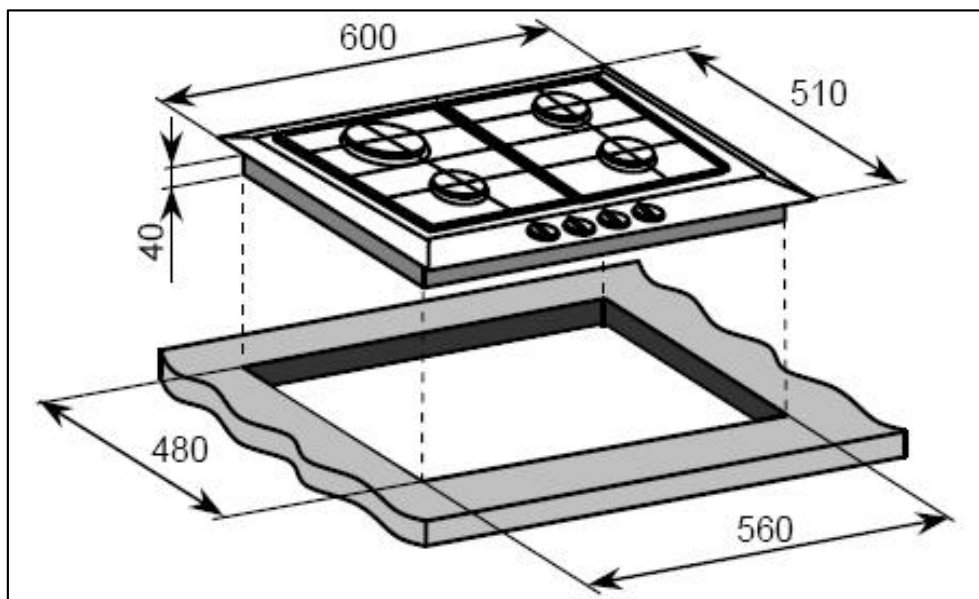
- A = 1 x 3.00 KW rapid burner
- B = 1 x 1.00 kW auxiliary burner
- C = Control panel

- Front control operation
- Automatic ignition
- Heavy duty cast iron pan stands
- **Flame failure safety device on each burner**

Standard accessories:

- LPG conversion jets

GH601SS



Product specifications:

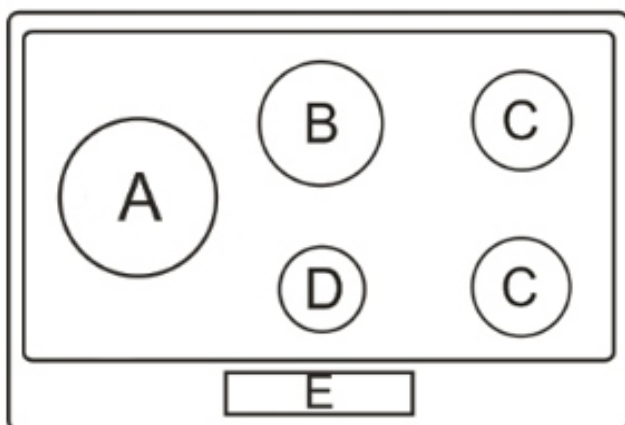
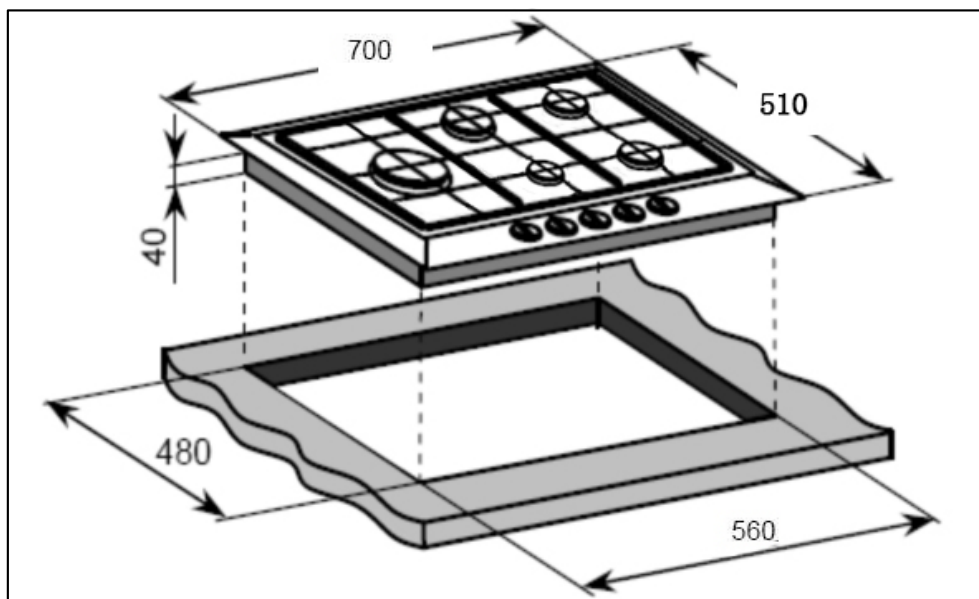
- A = 1 x 3.00 kW rapid burner
- B = 2 x 1.75 KW semi-rapid burners
- C = 1 x 1.00 kW auxiliary burner
- D = Control panel

- Front control operation
- Automatic ignition
- Heavy duty cast iron pan stands
- **Flame failure safety device on each burner**

Standard accessories:

- LPG conversion jets

GH700SS



Product specifications:

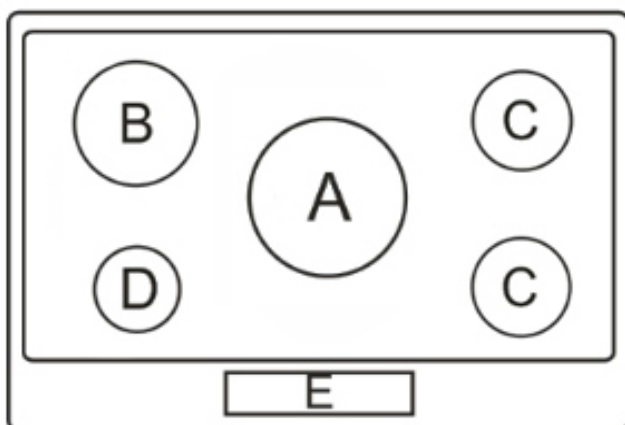
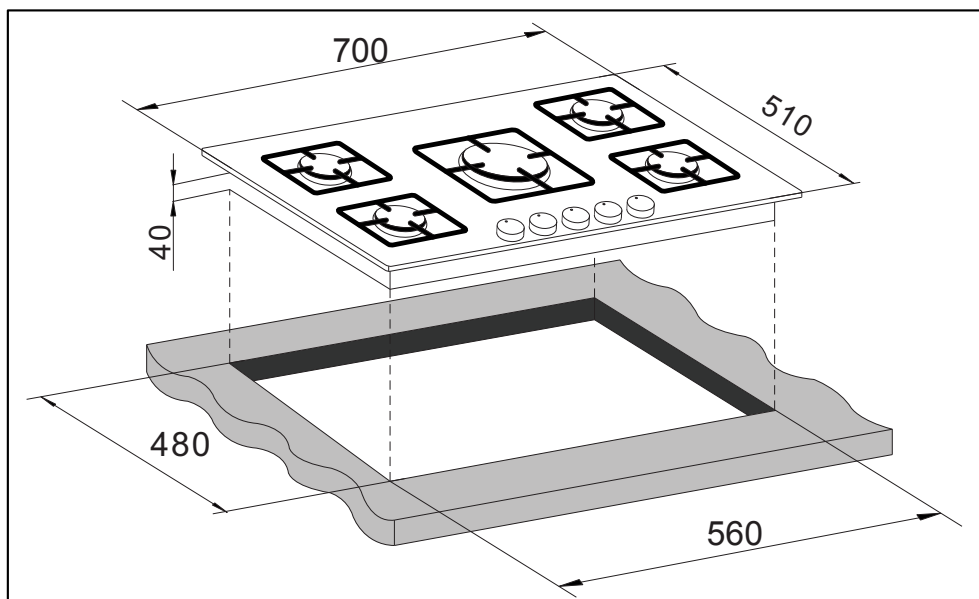
- A = 1 x 3.50 kW Wok burner
- B = 1 x 3.00 KW rapid burner
- C = 2 x 1.75 KW semi-rapid burners
- D = 1 x 1.00 kW auxiliary burner
- E = Control panel

- Front control operation
- Automatic ignition
- Heavy duty cast iron pan stands
- **Flame failure safety device on each burner**

Standard accessories:

- LPG conversion jets

GGH700BK / GGH705BK / GH705SS



Product specifications:

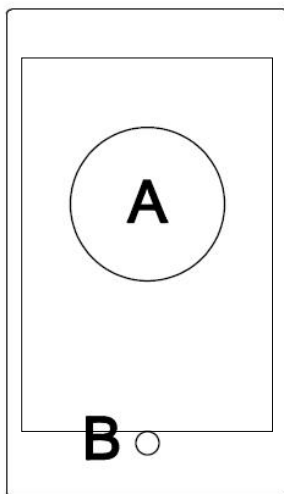
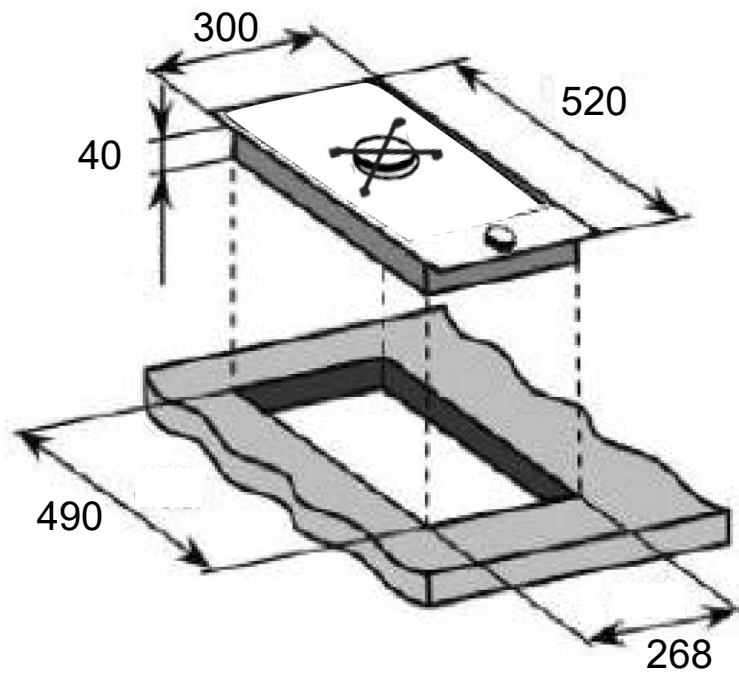
- A = 1 x 3.50 kW Wok burner
- B = 1 x 3.00 KW rapid burner
- C = 2 x 1.75 KW semi-rapid burners
- D = 1 x 1.00 kW auxiliary burner
- E = Control panel

- Front control operation
- Automatic ignition
- Heavy duty cast iron pan stands
- **Flame failure safety device on each burner**

Standard accessories:

- LPG conversion jets

GGH301BK



Product specifications:

A = 1 x 3.50 kW WOK burner

B = Control panel

- Front control operation
- Automatic ignition
- cast iron pan stands
- **Flame failure safety device on each burner**

Standard accessories:

- LPG conversion jets

Electrical details

Rated Voltage:	220 - 240 Vac 50 / 60 Hz
Supply Connection:	3A (double pole switched fused outlet with 3mm contact gap)
Max Rated Inputs:	0.0008 kW
Mains Supply Lead:	3 core x 0.75mm ² (Type VV-F <HAR> marked)

Gas details

Connection:	Rp ½ (ISO R7)
Type:	Natural Gas (20 mbar) Alternative LPG G30/31 (28-30/37 mbar)

Using the gas hob

Before first use





IMPORTANT: You should clean the hob surface (see "Cleaning and maintenance" section).

Switching the hob on

The following symbols will appear on the control panel, next to each control knob:

● = gas off

▲  Large flame: maximum setting

 Small flame: minimum setting

- The minimum setting is at the end of the anti-clockwise rotation of the control knob.
- All operation positions must be selected between the maximum and minimum position.
- **Never** select a knob position between the maximum and off position.
- The symbol on the control panel, next to the control knob will indicate which gas burner it operates.

Automatic ignition with flame failure safety device

The appliance is fitted with a flame failure safety device on each burner, which is designed to stop the flow of gas to the burner head in the event of the flame going out.

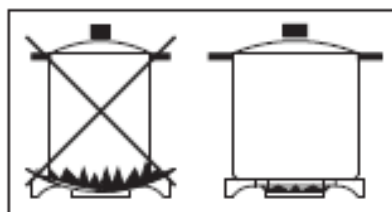
To ignite a burner:

- Press in the control knob of the burner that you wish to light and turn it anti-clockwise to the maximum position.
- If you keep the control knob depressed, the automatic ignition for the burner will operate.
- You should hold down the control knob for 20 seconds **after** the flame on the burner has lit.
- After this 20 second interval, turn the control knob to your required setting between the maximum and minimum setting symbols.
- To switch the burner off, turn the control knob fully clockwise to the gas off position.
- In case of power failure, the burners can be lit by carefully using a match.

Energy saving tips

BURNERS	PANS	
	Minimum diameter	Maximum diameter
Wok	220 mm	260 mm
Rapid	180 mm	220 mm
Semi-rapid	120 mm	200 mm
Auxiliary	80 mm	160 mm

- The diameter of the bottom of the pan should correspond to that of the burner.



- The burner flame must never extend beyond the diameter of the pan.
- Use flat bottomed pans only.

Cleaning



Cleaning operations must only be carried out when the hob is cool.

The appliance should be disconnected from your mains supply before commencing any cleaning process.

Cleaning the hob top



Any residues that are left on the hob top surface from cleaning agents **will** damage it. You should remove any residues with warm soapy water.



Abrasive cleaners or sharp objects will damage the hob surface; you should clean it using warm soapy water.



Although it is easier to clean some deposits whilst the hob surface is still warm. Make sure that the hob surface, pan supports and hob burners have all cooled sufficiently before you attempt to touch them.

After each use

- Remove the pan stands and wipe the appliance over with a soft, damp cloth that has been put into warm soapy water. The cloth should be wrung out after being taken out of the soapy water.
- Dry the appliance by rubbing the surface with a soft, clean cloth.
- We would recommend that an appropriate stainless steel cleaner and polish is regularly used on the stainless steel surfaces of this appliance.

Cleaning the hob burners

The hob burners should be cleaned once a week or more frequently if they get soiled.

- ***IMPORTANT:*** *Make sure that the hob surface, pan stands and hob burners have cooled before you attempt to touch them.*

- Remove the hob burners by pulling them upwards and away from the hob top.
- Soak them for about ten minutes in hot water and a little detergent.
- After cleaning and washing them, wipe and dry them carefully.
- Before placing the burners back on the hob top, **make sure that the gas jet is not blocked.**
- **IMPORTANT:** Make sure that you reassemble the burners in the original way.

Maintaining the cast iron pan stands

- **IMPORTANT:** Make sure that the hob surface and pan stands have cooled before you attempt to touch them.
- Wipe the pan stands over with a soft, damp cloth that has been put into warm soapy water. The cloth should be wrung out after being taken out of the soapy water.
- Using a paper towel, thoroughly dry the pan stands.
- To maintain the appearance of the cast iron pan stands, we would recommend that you rub a small amount of olive oil into the pan stands, after you have finished cleaning them.

Installation



The installation must be carried out by a GASSAFE registered installer, in accordance with the current version of the following.

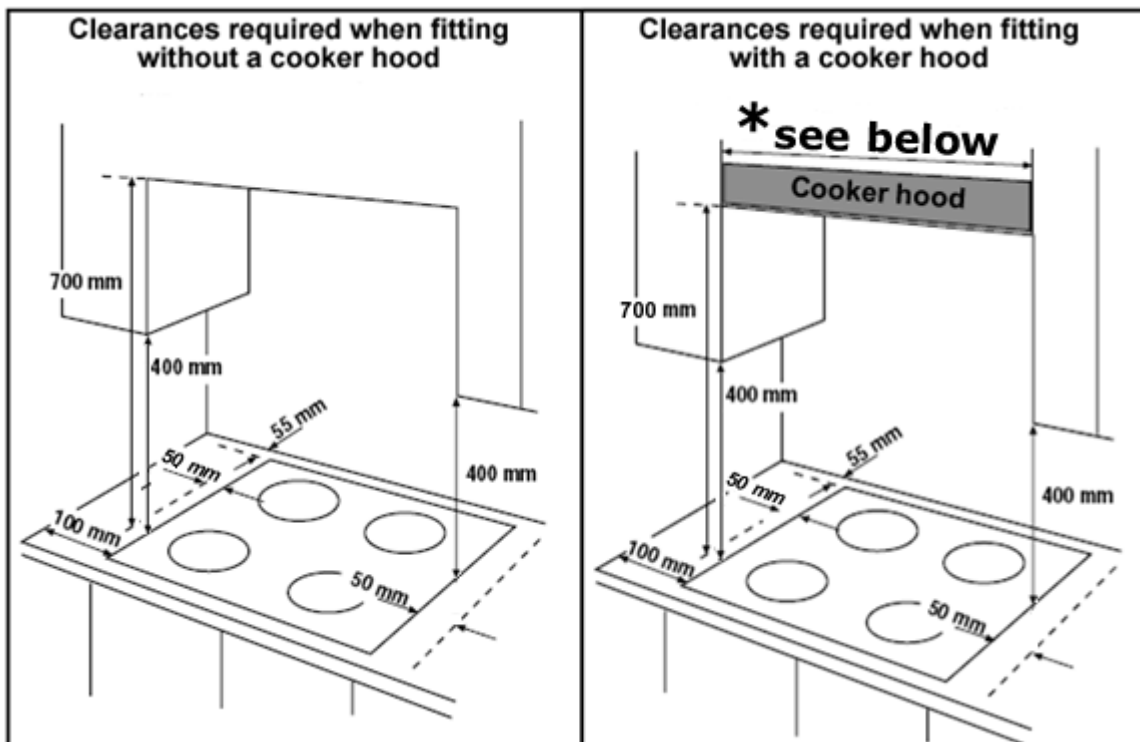
- Gas Safety Regulations (Installation & Use)
- Building Regulations (issued by the Department of Environment)

- Building Standards (Issued by the Scottish Development Department)
- IEE Wiring Regulations
- Electricity at Work Regulations BS 6172
- Installation of Domestic Gas Cooking Appliances (if necessary, BS 5482 Installation of Domestic LPG Appliances)
- BS 5440 Installation of Flues and Ventilation for Gas Appliances

Positioning



The adjacent furniture must be able to withstand a minimum temperature rise of 85°C above the ambient temperature of the room it is located in, during periods of use.

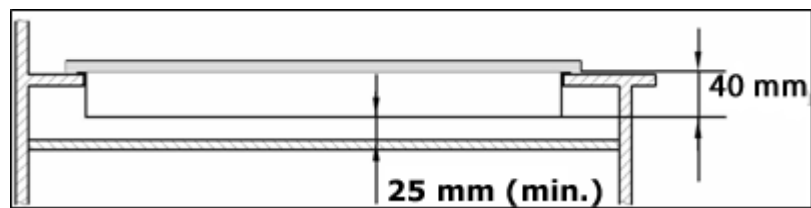


- This appliance can be located in a kitchen, a kitchen diner or a bed sitting room. **IMPORTANT:** *The appliance must not be installed in a bathroom or shower room.*

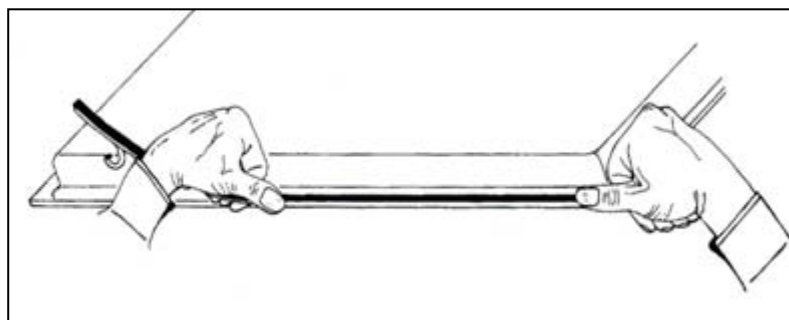
This appliance is classified as Class 3 and therefore is to be built into a kitchen unit (depending on size) or 600mm worktop, providing the following minimum distances are allowed:

- The edges of the hob must be a minimum distance of 55 mm from a side or rear wall.
- 700 mm between the highest point of the hob surface (including the burners) and the underside of any horizontal surface directly above it.
- 400 mm between the hob surface, providing that the underside of the horizontal surface is in line with the outer edge of the hob. If the underside of the horizontal surface is lower than 400 mm, then it must be **at least** 50 mm away from the outer edges of the hob.
- 50 mm clearance around the appliance and between the hob surface and any combustible materials.

All models

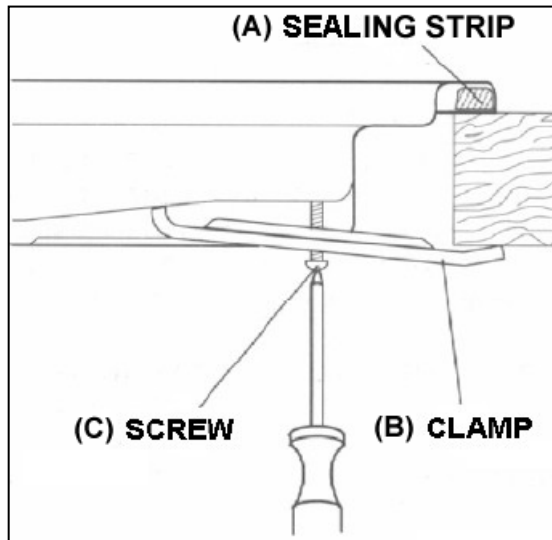


- **IMPORTANT:** You must have a gap of at least 25 mm between the underneath of the appliance and any surface that is below it.



- Carefully turn the hob upside down and place it on a cushioned mat.
- Apply the sealing strip **(A)** provided around the edge of the appliance.

- The protective covering must be removed from both sides.
- Do not leave a gap in the sealing agent or overlap the thickness.
- **IMPORTANT:** Do not use a silicon sealant to seal the appliance against the aperture. This will make it difficult to remove the hob from the aperture in future if it needs to be serviced.



- (A) Sealing strip
- (B) Clamp
- (C) Screw

- Place the clamp **(B)** over the holes that match the size of the screws. There are one set of screw holes in each corner of the hob. Slightly tighten a screw **(C)** through the clamp **(B)** so that the clamp is attached to the hob, but so that you can still adjust the position of it.
- Carefully turn the hob back over and then gently lower it into the aperture hole that you have cut out.
- On the underneath of the hob, adjust the clamps into a position that is suitable for your worktop. Then fully tighten the screws **(C)** to secure the hob into position.

Gas connection



This appliance must be installed by a competent person in accordance with the current versions of the following UK (United Kingdom) or ROI (Republic of Ireland) Regulations and Safety Standards or their European Norm Replacements.

Important information

- This hob is supplied to run on **natural gas only** and cannot be used on any other type of gas without modification.
- Conversion for use on LPG and other gases must only be undertaken by a qualified person. For information on the use of other gases, please contact the Advice Line.
- The hob must be installed by a qualified person, in accordance with the current edition of the Gas Safety (Installation and Use) (Amendment) Regulations and the relevant building/I.E.E. Regulations.
- Failure to install the appliance correctly could invalidate guarantee and lead to prosecution under the regulations quoted above.
- In the UK, **GASSAFE** registered installers are authorised to undertake the installation and service work, in compliance with the above regulations.

Ventilation requirements

- The room containing the hob should have an air supply in accordance with the current edition of BS 5440: Part 2:
- The room must have opening windows or equivalent; some rooms may also require a permanent vent.
- If the room has a volume between 5 and 10m³, it will require an air vent of 50cm² (effective area). Unless it has a door which opens directly to the outside.
- If the room has a volume of less than 5m³, it will require an air vent of 100cm² (effective area).
- If it is installed in a room with a volume that exceeds 11m³, then no air vent is required.
- If there are any other fuel burning appliances in the same room the current edition of BS 5440: Part 2: should be consulted to determine air vent requirements.
- Ensure that the room containing the hob is well ventilated, keep natural ventilation holes or install a mechanical ventilation device (mechanical cooker hood).

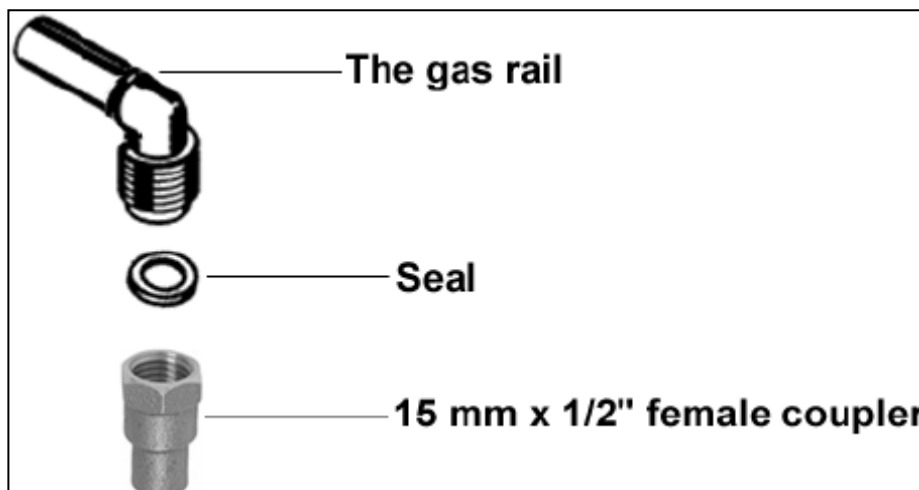
- Prolonged intensive use of the appliance may call for additional ventilation, either by the opening of a window, or by increasing the level of the mechanical ventilation device (where present).
- This hob is not fitted with a device for discharging the products of combustion. Ensure that the ventilation rules and regulations are followed.
- The walls behind and near the hob should be resistant to heat, steam and condensation.
- Remember that the quantity of air necessary for combustion must never be less than 2m³/h for each kW of power (see total power in kW on the appliance rating plate).

Gas Safety (Installation and Use) Regulations

IMPORTANT: The appliance MUST be connected to the gas supply by use of a 15 mm x 1/2" female coupler, seal, copper pipe and an isolation tap fitted in an easily accessible position.

- It is the law that all gas appliances are installed by competent persons in accordance with the current edition of the **Gas Safety Installation and Use Regulations**.
- It is in your interest and that of safety to ensure compliance with the law.

Failure to install the hob correctly could invalidate the warranty, liability claims and lead to prosecution.



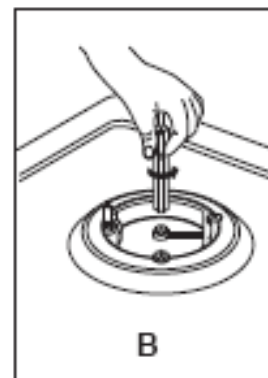
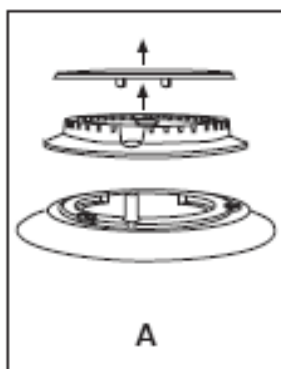
- Put the gas seal inside of the 15 mm x 1/2" female coupler .
- Fully tighten the 15 mm x 1/2" female coupler and seal onto the gas rail.
- **IMPORTANT:** *The female coupler must be positioned the right way up, as shown in the picture on the previous page.*
- Gas pressure may be checked on a semi-rapid hob burner. Remove the appropriate injector and attach a test nipple. Light the other burners and observe that the gas pressure complies with the gas standards in force.
- **IMPORTANT:** *On completion carry out a gas soundness test.*

Gas adjustment (Conversion to LPG)



All work must be carried out by a GASSAFE registered engineer.

IMPORTANT: *Always isolate the hob from the electricity supply before changing the injectors and/or adjusting the minimum flow of the burners.*



Remove the pan-stands, burners and flame spreaders (A).

Unscrew the injector (**B**) and replace it with the stipulated injector for the new gas supply (see table on next page).

GENERAL INJECTORS TABLE				
Kind of gas	Nozzle mm/100	Burners	Power (in watts)	
			Max.	Min.
Natural	131	Wok	3500	1700
	129	Rapid	3000	1500
	97	Semi-rapid	1750	900
	76	Auxiliary	1000	500
L.P.G. Butane Propane	94	Wok	3500	1300
	87	Rapid	3000	700
	65	Semi-rapid	1750	400
	51	Auxiliary	1000	350

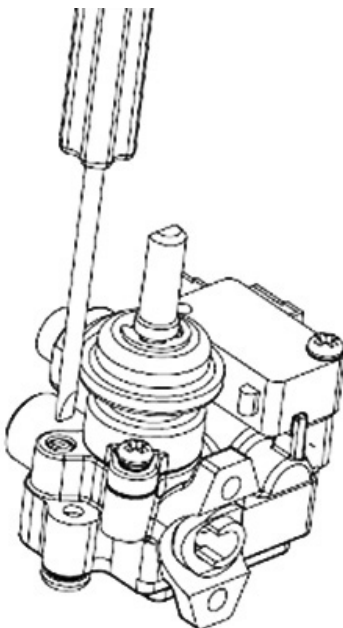
- Reassemble all the burners carefully; in particular you should make sure that the flame spreader is correctly placed on the burner.
- **IMPORTANT:** *The minimum flow adjustment process must be completed before the appliance is next used.*

Minimum flow adjustment for hob gas taps



All work must be carried out by a GASSAFE registered engineer.

IMPORTANT: *Always isolate the hob from the electricity supply before changing the injectors and/or adjusting the minimum flow of the burners.*



- Remove all the pan supports, caps, flame spreaders and knobs.
- Unscrew the screws of the panel, then remove the panel.
- Install cap, flame spreader, knob of the burner. Switch the burner on and set the knob at the minimum position.

- Place a small bladed screwdriver on the screw to adjust the minimum flow (as shown in the image on the left).
- Unscrew the adjusting screw, in order to increase the gas flow or tighten the adjusting screw to decrease the gas flow.
- The correct adjustment is obtained when the flame has a length of about 3 – 4 mm.
- For butane/propane gas, the adjusting screw must be tightly screwed in.
- Make sure that the flame does not go out by quickly turning from maximum flow to minimum flow. If it does then remove the control knob and make further adjustments to the gas flow, testing it again once the adjustment has been made.
- Repeat this process for each one of the gas taps.
- Install the panel and refit the caps, flame spreaders and knobs after finished the adjustment.

IMPORTANT: WHERE THIS APPLIANCE IS INSTALLED IN MARINE CRAFT OR IN CARAVANS, IT SHAL NOT BE USED AS A SPACE HEATER.

Gas tap maintenance



These maintenance operations MUST ONLY be carried out by a GASSAFE registered engineer.

IMPORTANT: Before carrying out any maintenance operations, disconnect the appliance from the gas and electricity supplies.

If a gas tap becomes stiff to operate, then you should proceed as follows:

- Remove the control knobs, pan supports, burners, hob fixing screws and clamps.
- Remove the hob from the worktop and remove any underside protective covers.
- Disconnect the fixings holding the tap to the fascia panel and separate the assembly. Then clean the cone and seating, with a cloth dampened with solvent.
- Lightly smear the cone with high temperature grease, reassemble into position and rotate a few times.
- Remove the cone again and remove any excess grease, making sure that the gas ducts are not obstructed with grease.
- Carefully reassemble the components and perform a gas soundness test.

If it becomes necessary to replace a gas tap, then you should proceed as follows:

- Remove the control knobs, pan supports, burners, hob fixing screws and clamps.
- Remove the hob from the worktop and remove any underside protective covers.
- Disconnect the fixings holding the tap to the fascia panel and separate the assembly.
- Disconnect the gas pipe from the gas tap, and then disassemble them from the gas rail by removing the fixing screws.
- When fitting a new tap, ensure that a new gasket is used.
- Reconnect the gas tap, perform a gas soundness test and then reassemble the hob.

Electrical connection



This appliance must be installed by a qualified person in accordance with the latest edition of the I.E.E. Regulations

Before connecting the appliance, make sure that the supply voltage marked on the rating plate corresponds with your mains supply voltage.

- Cable type: H05 VVF 3 core x 0.75 mm³ (Type VV-F <HAR> marked).
- The mains supply cable is supplied with this product.

Replacing the mains supply cable

If the mains supply cable is damaged, then it must be replaced by an appropriate replacement which
The mains supply cable should be replaced in accordance with the following instructions:

- ***Switch the appliance off at your mains supply.***
- Open the box of the supply board.
- Unscrew the clamp fixing the cable.
- Replace the cable with one of the same length and in accordance with the specification given above.
- The “green-yellow” earth wire must be connected to the terminal marked \perp . It must be about 10 mm longer than the live and neutral wires.
- The “blue” neutral wire must be connected to the terminal marked with letter (N) - the live wire must be connected to the terminal marked with letter (L).