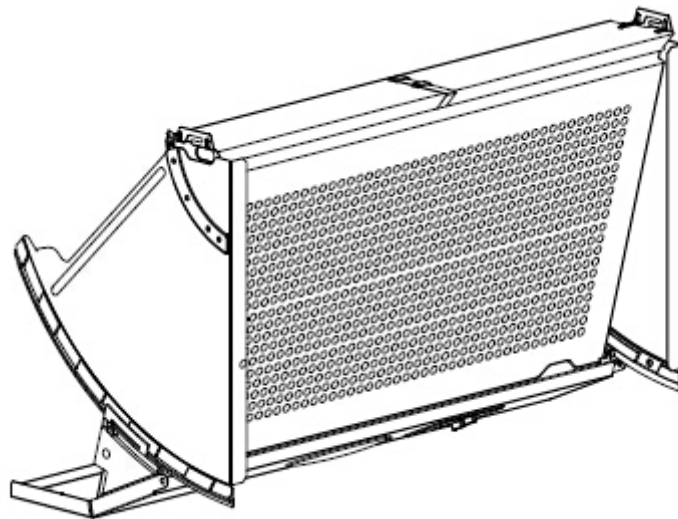


COOKOLOGY

INT600SI INT605SI **cooker hood** Instruction Manual



COOKOLOGY

CONTENT

1.....	Notice
2.....	Function and Feature
3.....	Usage
4.....	Installation
5.....	Cleaning and Maintenance
6.....	Change the Lamp
7.....	Trouble shooting

1.NOTICE

This appliance can be used by children aged from 8 years and above and persons with reduced physical, sensory or mental capabilities or lack of experience and knowledge if they have been given supervision or instruction concerning use of the appliance in a safe way and understand the hazards involved. Children shall not play with the appliance. Cleaning and user maintenance shall not be made by children without supervision

If the supply cord is damaged, it must be replaced by the manufacturer, its service agent or similarly qualified persons in order to avoid a hazard.

The instructions shall state the substance of the following:

- there shall be adequate ventilation of the room when the range hood is used at the same time as appliances burning gas or other fuels (not applicable to appliances that only discharge the air back into the room);
- the details concerning the method and frequency of cleaning;

- there is a fire risk if cleaning is not carried out in accordance with the instructions;
- do not flambé under the range hood;
- CAUTION: Accessible parts may become hot when used with cooking appliances.

The installation instructions shall include the substance of the following:

- the air must not be discharged into a flue that is used for exhausting fumes from appliances burning gas or other fuels (not applicable to appliances that only discharge the air back into the room);
- the minimum distance between the supporting surface for the cooking vessels on the hob and the lowest part of the range hood. (When the range hood is located above a gas appliance, this distance shall be at least 65 cm.
- regulations concerning the discharge of air have to be fulfilled.

The installation instructions for range hoods with

accessible metallic enclosures of class II construction shall include details that indicate the location and maximum permitted lengths for any fixing or mounting screw or other fixing device that penetrates into the range hood to attach an accessory such as a fascia or duct fitting.

Where fixing or mounting screws, or other fixing devices are used, that penetrate into the range hood with an accessible metallic enclosure of class II construction, to attach an accessory, the instructions shall indicate the required location of these screws or fixing devices and include the substance of the following warning.

Warning: Failure to install the screws or fixing device in accordance with these instructions may result in electrical hazards

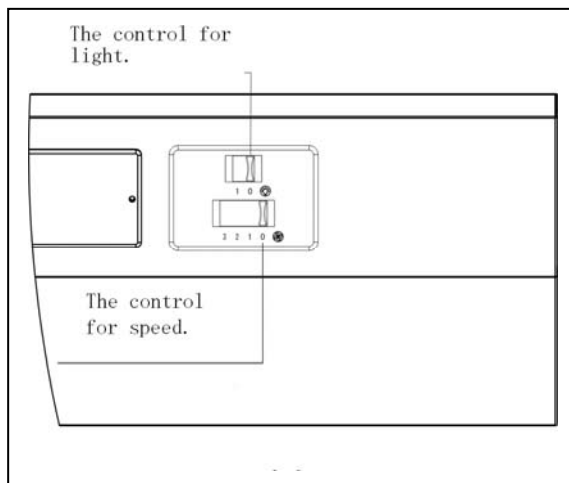
2.Function and Feature

1. The cooker hood is made of high quality materials with streamlined design accordingly to technical and physical engineering theory, high end and luxury with age aesthetic feeling, also there are kinds of styles for your option to perfect your kitchen.
2. Equipped with a large power low noise electric motor and centrifugal leaf, it produces strong suction, low noise, no stick grease filter and easy to clean.
3. The grease filter is easy to remove and clean, and only wipe lightly for the motor and other interior parts.
4. Special wind tunnel construction and oil collector design, avoiding redundant

grease left in the flue.

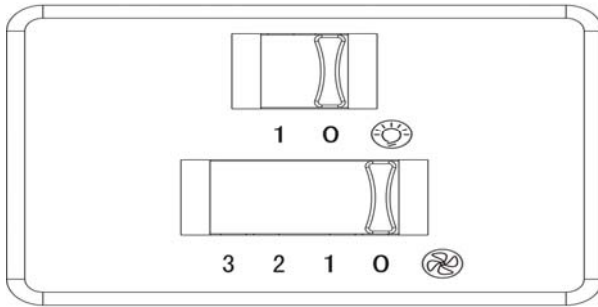
3.Usage

- ◆ When you cook, pull up the covering metal board, turn on the cooker hood, and then choose the speed wind
- ◆ When you finish cooking, push down the covering metal board, and turn off the cooker hood.
- ◆ When you turn on the cooker hood again, the wind speed of the cooker hood remains the same as last time you used it.
- ◆ Whether the covering metal board is open or not, you can turn on the light. Also you can turn on the light, when the wind speed is at 0.
- ◆ You can turn off the cooker hood in two ways:
 1. Turn off the wind speed.
 2. Push down the covering metal board (The wind speed is still on.)When you pull up the covering metal board again, the wind speed of the cooker hood remains the same as last time you used it.



How to use the control panel: See Pic 2

- a. Press the button “Stop” to stop the motor working.
- b. Press the button “Low” to make the motor run at low speed
- c. Press the button “Mid” to make the motor run at medium speed.
- d. Press the button “High” to make the motor run at high speed.
- e. Press the button “Light”, both lights are on. Press it again, both are off.

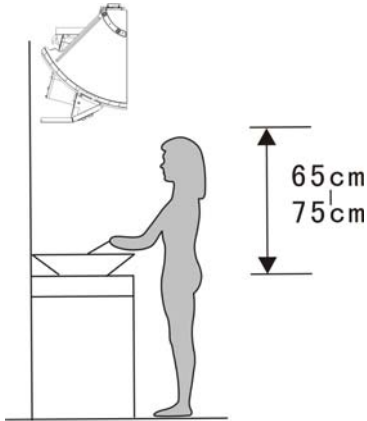


Pic 2

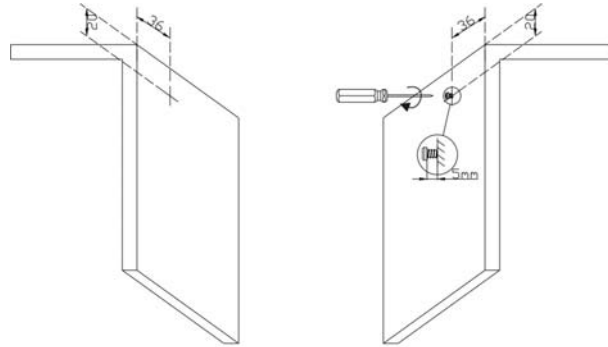
4.Installation

1. The cooker hood should be placed at a distance of 65-75cm (26-30inch) from the cooking surface for the best effect. See Pic 3.
2. Install the cooker hood between two cupboards. Drill and screw on the side boards of the cupboards (the holes $\leq 2\text{mm}$). The distance between the head of the screw and the side board should be 5mm, and the distance between the screw and the cooking surface should no less than 1040mm. If there is not room enough, you can place it higher or lower. See Pic 4
3. Hang the cooker hood on the screws between the two cupboards. See Pic 5
4. Push the fan-shaped door frames to the end, in order to make the outer edges of the door frames at the same vertical level as the outer edge of the cupboards. See Pic 6
5. Mark the positions where you install the lower screws. Drill the upper hole and fix the screws. Make sure all four screws are well fixed. See Pic 6
6. Connect the air-outlet board and the air-outlet tube.
7. Door installation: The door should be no less than 16mm thick, 385-700mm high, and weigh no more than 7KG. Pull out the movable fan-shaped door frames by the plastic handle, and place the fan-shaped door frames one on left and one on right. See Pic 8
8. Mark the installation position of the door and the size of the fixed screws. If the upper edge of the door is not as high as the upper edge of the cupboards, please adjust the size accordingly. Mark the positions of the screws on the door, and make sure the size is as accurate as 569 ± 1 . See Pic 9

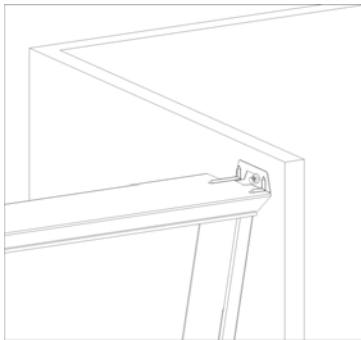
9. Fix the fan-shaped door frames on the door with screws. Make sure the frames are symmetrical. Install the door onto the cooker hood, the two sides of the door can be pulled to the end and the door can be safely locked. If the door cannot be safely locked, you can release the plastic handle. See Pic 10
10. The two screws on both sides of the cooker hood can adjust the sliding of the door, according to the weight of the door. See Pic 11
11. Install the adjusting plate, in order to cover the gap between the wall and the bottom of the cooker hood. See Pic 12



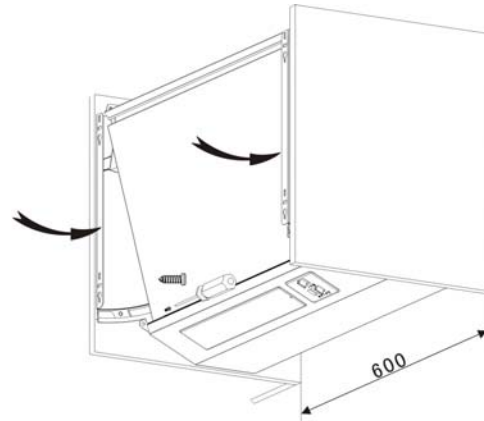
Pic 3



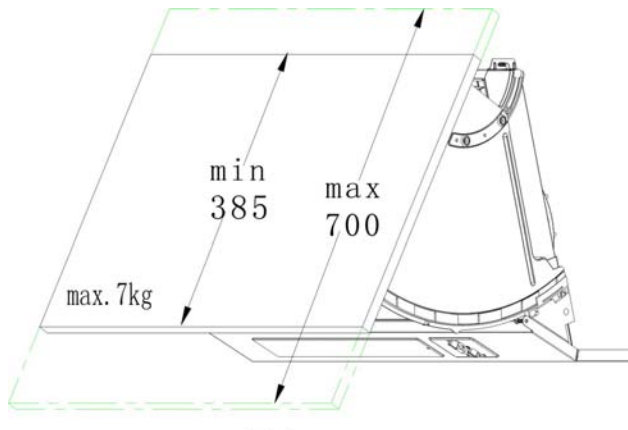
Pic 4



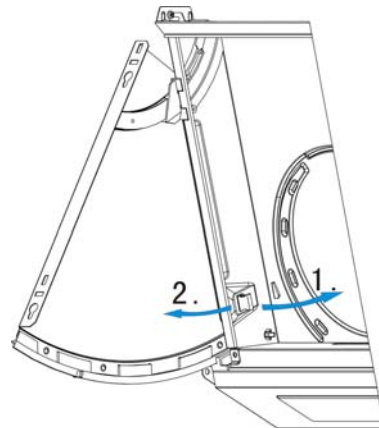
Pic 5



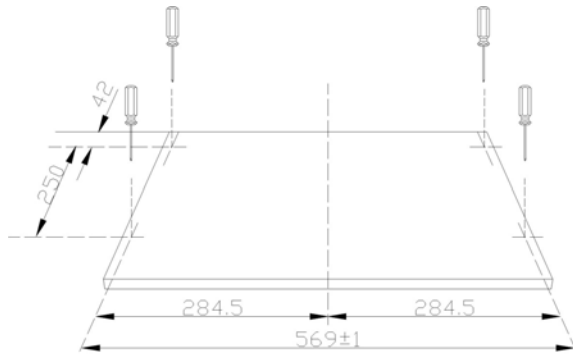
Pic 6



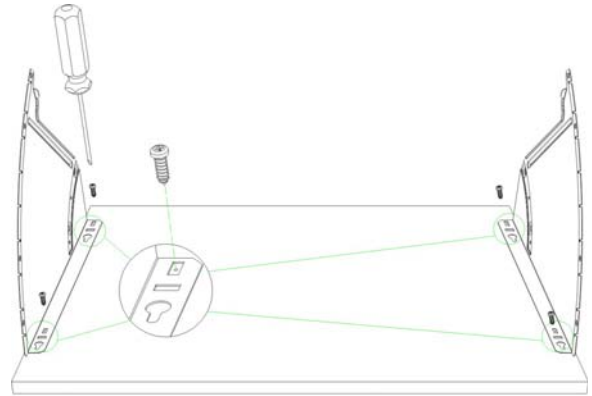
Pic 7



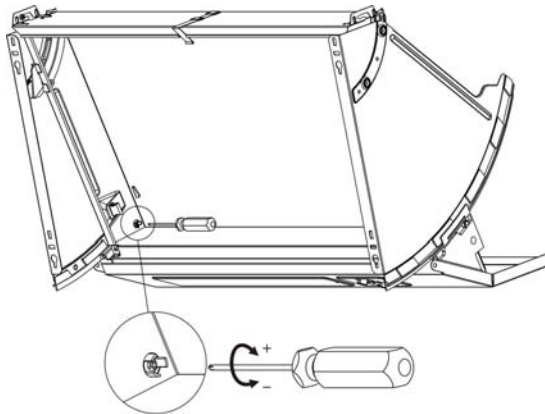
Pic 8



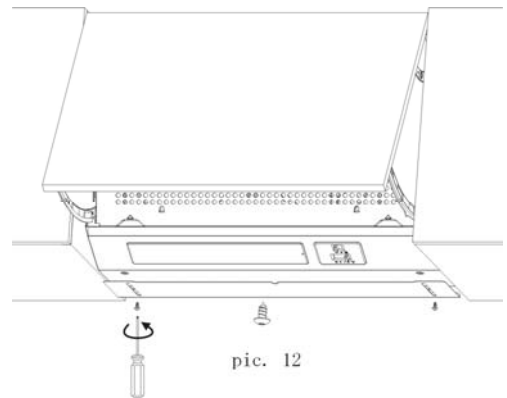
Pic 9



Pic 10



Pic 11



pic. 12

5. Cleaning and Maintenance

Change and clean the grease filter:

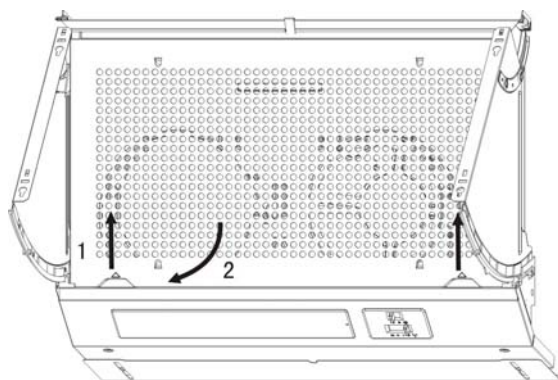
You can remove the grease filters following the instruction of Pic 13 and Pic 14, and clean the filters as below:

1. Put the filter in the water(40°C-50°C), pour in some grease-loosening detergent, soak it for about 2-3 minutes and then clean it with a soft brush. Do not brush too hard, in case you damage the filter.
2. Also you can put the filter into a dishwasher with detergent for cleaning. Set the temperature at around 60°C.

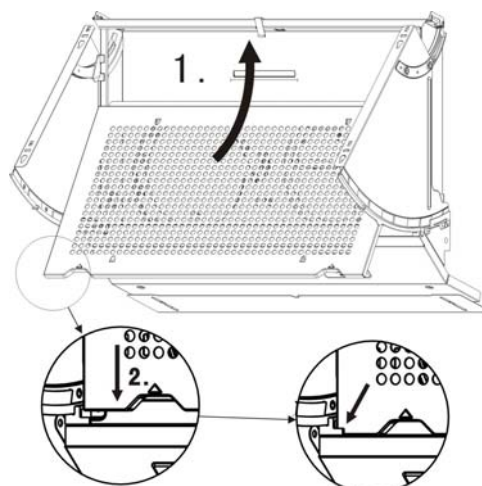
If the cooker hood works for 1-2 hours at average per day, change the filter cloth every 8-10 weeks.

Because the grease filters are made of metal, do not clean the filters with detergents that will corrode metal products.

NOTE: make sure the cooker hood is shut off before cleaning



Pic 13

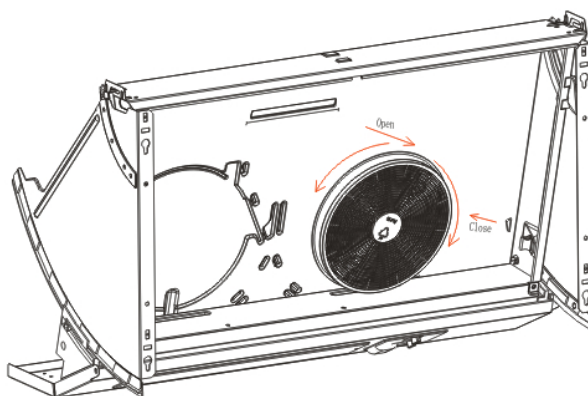


Pic 14

CARBON FILTER-not supplied

Activated carbon filter can be used to trap odors. Normally the activated carbon filter should be changed at three or six months according to your cooking habit. The installation procedure of activated carbon filter is as below.

- (1) The aluminum filter should be detached first as explained earlier.
- (2) The carbon filters are attached to each end of the motor housing, rotating to lock/undo.
- (3) Single motor needs one piece of carbon filter, while double motor needs two.



NOTE:

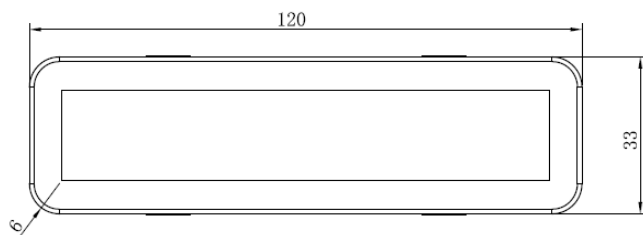
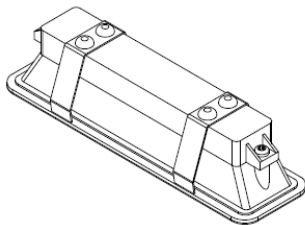
- Make sure the filter is securely locked. Otherwise, it would loosen and cause dangerous.
- When activated carbon filter attached, the suction power will be lowered.

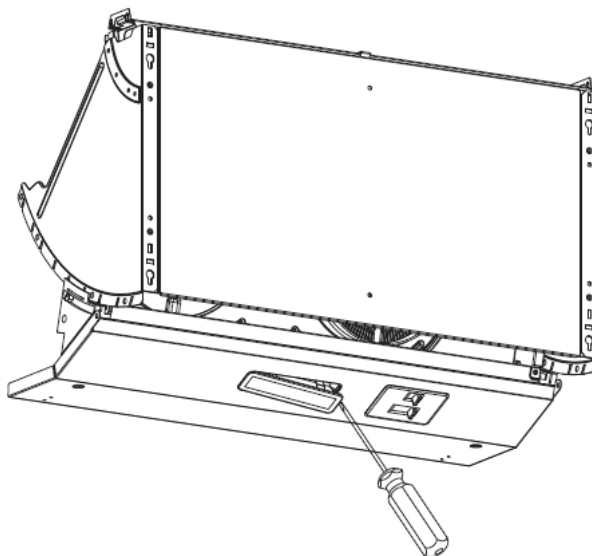
6.Change the Lamp

Important :

- ✧ The Bulb must be replaced by a competent person.
- ✧ Always switch off the electricity supply before carrying out any operations on the appliance. When handling bulb, make sure it is completely cool down before any direct contact to hands.
- ✧ When handling globes hold with a cloth or gloves to ensure perspiration does not come in contact with the globe as this can reduce the life of the globe.

- Switch off the appliance and make sure it's disconnected from the mains supply.
- You should use a suitable screwdriver to prize up one end of the light and take it out for replacement.
- **ILCOS D code for this lamp is: DBS-2/65-H-120/33**
 - LED modules –rectangle lamp
 - Max wattage: 2 W
 - Voltage range: AC 220-240V
 - Dimensions:





7. Trouble shooting

Symptom	Solution
The cooker hood does not start.	<ul style="list-style-type: none"> ● Check that the hood is connected to the electricity supply. ● Check that the fan speed control is set properly.
The cooker hood is not working Effectively.	<ul style="list-style-type: none"> ● The fan speed is not set high enough. ● The grease filter is dirty. ● The kitchen is not ventilated well enough. ● If the hood is set for recirculation, check that the carbon filters have not expired. ● If the hood is set for extraction, check that the ducting and outlets are not blocked.
The cooker hood has switched off during operation.	<ul style="list-style-type: none"> ● The safety cut-out device has been tripped. ● Turn off the hob and then wait for the device to reset. ● Note that if you have installed your cooker hood too low, this will happen. ● If it happens frequently, it will be damaged.

ENVIRONMENTAL PROTECTION:

This product is marked with the symbol on the selective sorting of waste electronic equipment. This means that this product must not be disposed of with household waste but must be supported by a system of selective collection in accordance with Directive 2002/96/EC. It will then be recycled or dismantled to minimize impacts on the environment, electrical and electronic products are potentially dangerous for the environment and human health due to the presence of hazardous substances.

For more information, please contact your local or regional authorities.

Note:

- a. In order to reduce the environmental impact (e.g. energy use) of the cooking process, please be sure that your product is installed according to the user manual, keep the operation place ventilated, keep the extraction duct be direct and short as possible as it can be.
- b. For the product with manual operation mode, we suggest switch the motor off within 10 minutes after finishing the cooking process.
- c. Please be sure to dismantle related components according to the user manual when maintaining for non-destructive, protect the parts to make the re-installed work can be favoring and avoid damage.