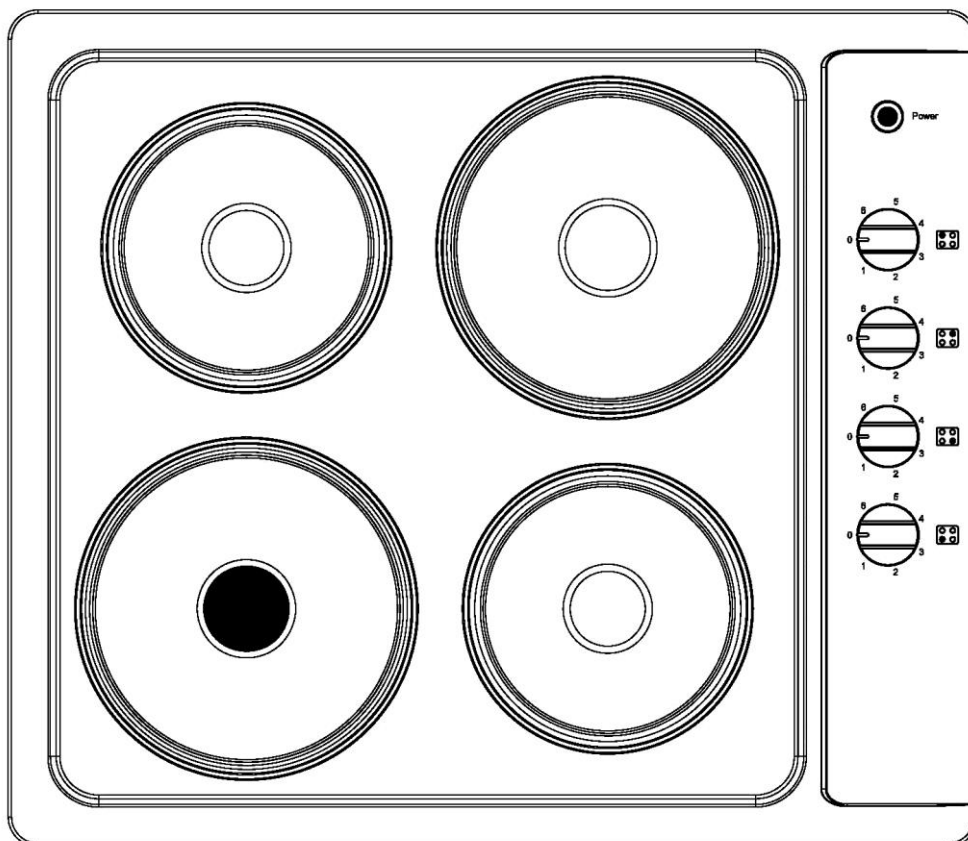


COOKOLOGY

SEP601WH
SEP601SS

Electrical Hob **Instruction Manual**



Please register the warranty for this product on www.Cookology.com

Content

Safety instructions.....	3-4
Installation.....	5-6
Description of the appliance.....	6
Operation.....	6-7
Maintenance and cleaning.....	8
Environmental note.....	9

Safety instructions

This User Instruction Manual contains important information, including safety & installation points, which will enable you to get the most out of your appliance. Please keep it in a safe place so that it is easily available for future reference; for you or any person not familiar with the operation of the appliance.



Caution!

- Do not use the cooker hob until you have read this instruction manual. The cooker hob is intended for household use only.
 - The appliance becomes hot during operation. Take care not to touch the hot surface.
 - Always keep children away from the cooker hob.
 - While in operation direct contact with the cooker hob may cause burns!
 - Ensure that small items of household equipment, including connection leads, do not touch the hob as the insulation material of this equipment is usually not resistant to high temperatures.
 - Do not leave the cooker hob unattended when frying. Oils and fats may catch fire due to overheating or boiling over.
 - Do not switch on the hob until a pan has been placed on it.
 - Do not put pans weighing over 25kg on the hob.
 - Do not use the cooker hob in the event of a technical fault. Any faults must be fixed by an appropriately qualified and authorized person.
 - In the event of any incident caused by a technical fault, disconnect the power and report the fault to the service centre to be repaired.
- The rules and provisions contained in this instruction manual should be strictly observed. Do not allow anybody who is not familiar with the contents of this instruction manual to operate the cooker hob.
 - The cooker hob should not be cleaned using steam cleaning equipment.
 - **IMPORTANT:** The adjacent furniture or housing and all materials used in the installation must be able to withstand a minimum temperature of 85°C above the ambient temperature of the room it is located in, whilst in use.
 - Any damage caused by the appliance being installed in contravention of this temperature limit, or by placing adjacent cabinet materials closer than 4mm to the appliance, will be the liability of the owner.
 - This appliance complies with all current European safety legislation. We do wish to emphasize that this compliance does not remove the fact that the appliance surfaces will become hot during use and retain heat after operation.

Child Safety

- We strongly recommend that babies and young children are prevented from being near to the appliance and not allowed to touch the appliance at any time.

- If it is necessary for younger family members to be in the kitchen, please ensure that they are kept under close supervision at all times.

General Safety

- Children less than 8 years of age shall be kept away unless continuously supervised.
- This appliance can be used by children aged from 8 years and above and persons with reduced physical, sensory or mental capabilities or lack of experience and knowledge if they have been given supervision or instruction concerning use of the appliance in a safe way and understand the hazards involved. Children shall not play with the appliance. Cleaning and user maintenance shall not be made by children without supervision.
- **NEVER** try to extinguish a fire with water, but switch off the appliance and then cover flame e.g. with a lid or a fire blanket.
- **WARNING:** Danger of fire: do not store items on the cooking surfaces.
- Means for disconnection must be incorporated in the fixed wiring in accordance with the wiring rules.
- Do not allow electrical fittings or cables to come into contact with areas on the appliance that get hot.

- Do not use the appliance to heat the room it is located in or to dry clothing.
- Do not install the appliance next to curtains or soft furnishings.
- If the supply cord is damaged, it must be replaced by the manufacturer, its service agent or similarly qualified persons in order to avoid a hazard.
- The appliance is not intended to be operated by means of an external timer or separate remote-control system.
- This product can be worked but not through outside timer and remote control.
- **WARNING:** If the surface is cracked, switch off the appliance to avoid the possibility of electric shock.
- Do not leave pans with prepared dishes based on fats and oils unattended on the switched-on plate; hot fat can spontaneously catch fire.
- **WARNING:** Use only hob guards designed by the manufacturer of the cooking appliance or indicated by the manufacturer of the appliance in the instructions for use as suitable or hob guards incorporated in the appliance. The use of inappropriate guards can cause accidents.

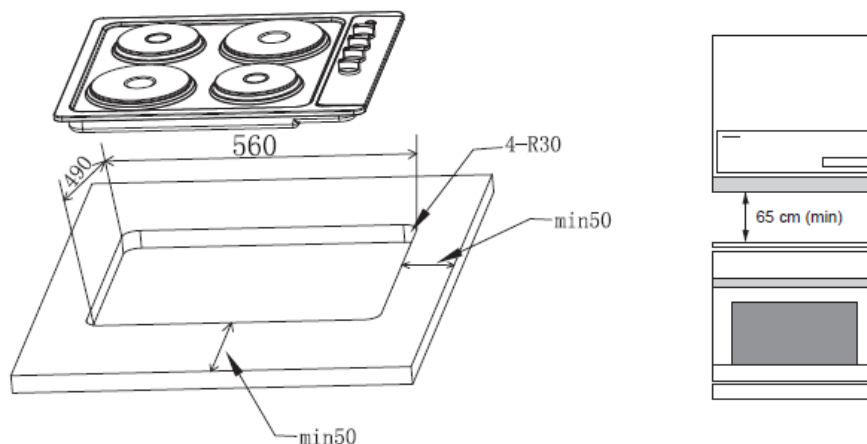
Installation

Installing the cooker hob

- The kitchen area should be dry and aired and equipped with efficient ventilation. When installing the ceramic, easy access to all control elements should be ensured.
- This is a Y-type design built-in ceramic, which means that its back wall and one side wall can be placed next to a high piece of furniture or a wall. Coating or veneer used on fitted furniture must be applied with a heat-resistant adhesive (100°C). This prevents surface deformation or detachment the coating.
- Hoods should be installed according to the manufacturer's instructions.

Assembly of cooker hob :

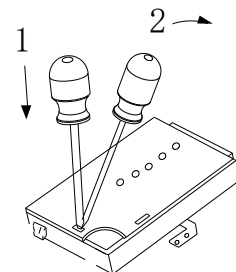
- Make an opening with the dimensions given in the diagram for the hob to be mounted on the worktop.
- Check seal for perfect fit and overall cover. Lower the electric hob into place and align correctly.
- Using a standard screwdriver, tighten the tension clamps evenly starting at the centre and moving diagonal, until the built-in rim is tight on the worktop.



Fitting guidelines

The cooker hob is manufactured to work with two-phase alternating current (400V2N~50Hz). The voltage rating of the cooker hob heating elements is 230V. Adapting the cooker hob to operate with one-phase current is possible by appropriate bridging in the connection box according to the connection diagram below. The connection diagram is also found on the cover of the connection box. Remember that the connection wire should match the connection type and the power rating of the cooker hob.

The connection cable must be secured in a strain-relief clamp.

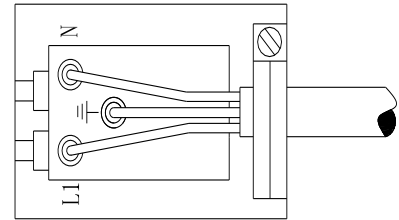


Replacing the mains supply cable

If the mains supply cable is damaged, then it must be replaced by an appropriate replacement.

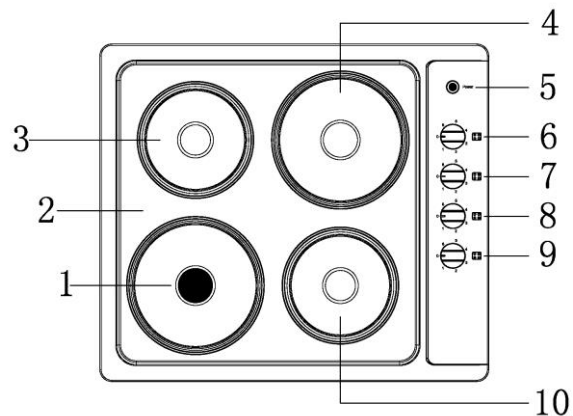
The mains supply cable should be replaced in accordance with the following instructions:

- ✧ Switch the appliance off at the control switch.
- ✧ Open the terminal block on the underside of the hob.
- ✧ Unscrew the terminal screws fixing the cable.
- ✧ The “green-yellow” earth wire must be connected to the terminal marked \perp . It must be about 10 mm longer than the live and neutral wires.
- ✧ The “blue” neutral wire must be connected to the terminal marked with letter (N) - the live wire must be connected to the terminal marked with letter (L).



Description of the appliance

1. Front left hot plate ,Ø180mm
2. panel
3. rear left hot plate ,Ø145mm
4. rear right hot plate, Ø180mm
5. operating light red
6. rear left hot plate control knob
7. rear right hot plate control knob
8. front right hot plate control knob
9. front left heating plate control knob
10. front right hot plate, Ø145mm



Operation

Before first use

- Remove packaging, clean the interior of the hob.
- Switch on the ventilation in the room or open a window.

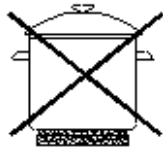
Important!

The inside of the oven should only be washed with warm water and a small amount of washing-up liquid.

How to use the hot plate

The level of heat can be adjusted gradually by turning the appropriate knob to the right or left. Switching on the plate results in a green signal light on the control panel turning on.

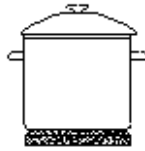
An appropriately selected pan saves energy. A pan should have a thick, flat base with a diameter equal to the plate diameter as in that case is transferred most efficiently.



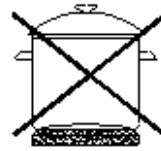
wrong



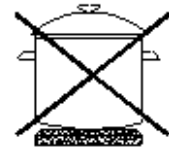
wrong



right



wrong



wrong

Caution!

Ensure the heating plate is clean-a soiled zone does not transfer all of the heat.

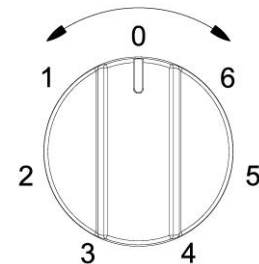
Protect the plate against corrosion.

Switch off the plate against corrosion.

Do not leave pans with prepared dishes based on fats and oils unattended on the switched-on plate; hot fat can spontaneously catch fire.

Heat level selection

- 0 Switch off
- 1 MIN. Warming up
- 2 Stewing vegetables, slow cooking
- 3 Cooking soups ,larger dishes
- 4 Slow frying
- 5 Grilling meat, fish
- 6 MAX. Fast heating up, fast cooking, frying



The stainless ornamental rings can be cleaned using washing liquids or gentle liquid scrubbing agents and wiped dry.

The surface of the hotplates should be regularly polished with white mineral oil or silicone oil. Never use animal or vegetable fats like butter, lard, oil etc. for the purpose.

The enamel working plate should be cleaned using warm water with a bit of washing liquid. larger stains can be removed using gentle scrubbing liquids.



Caution!

All repairs and regulatory activities should be carried out by the appropriate service centre or by an appropriately authorized fitter.



IMPORTANT: If your appliance appears not to be operating correctly, Please contact with dealer.

DO NOT ATTEMPT TO REPAIR THE APPLIANCE YOURSELF.

Please note that if an engineer is asked to attend whilst the product is under guarantee and finds that the problem is not the result of an appliance fault, then you may be liable for the cost of the call out charge.

The appliance must be accessible for the engineer to perform any necessary repair. If your appliance is installed in such a way that an engineer is concerned that damage will be caused to the appliance or your kitchen, then he will not complete a repair.

Maintenance and cleaning

What?	How?	Important!
<p>Everyday soiling on surface (fingerprints, marks, stains left by food or non-sugary spillovers on the surface)</p>	<ol style="list-style-type: none"> 1. Switch the power to the electric hob off. 2. Apply an electric hob cleaner while the electric hob is still warm (but not hot!) 3. Rinse and wipe dry with a clean cloth or paper towel. 	<ul style="list-style-type: none"> • When the power to the electric hob is switched off, there will be no 'hot surface' indication but the cooking zone may still be hot! Take extreme care. • Heavy-duty scourers, some nylon scourers and harsh/abrasive cleaning agents may scratch the surface. Always read the label to check if your cleaner or scourer is suitable. • Never leave cleaning residue on the electric hob: the surface may become stained.
<p>Spillovers on the power regulating controls</p>	<ol style="list-style-type: none"> 1. Switch the power to the electric hob off. 2. Soak up the spill 3. Wipe the power regulating control area with a clean damp sponge or cloth. 4. Wipe the area completely dry with a paper towel. 	<ul style="list-style-type: none"> • Make sure you wipe the power regulating control area dry before turning the electric hob back on.

Environmental note

Note: Before discarding an old appliance, switch off and disconnect it from the power supply. Cut off and render any plug useless. Cut the cable off directly behind the appliance to prevent misuse. This should be undertaken by a competent person.

This appliance is marked according to the European directive 2002/96/EC on Waste electrical and Electronic Equipment (WEEE). By ensuring this product is disposed of correctly, you will help prevent potential negative consequences for the environment and human health, which could otherwise be caused by inappropriate waste handling of this product.



Please register the warranty for this product on www.Cookology.com

Cookology Limited
Ground floor, 71 Lower Baggot Street, Dublin 2, D02 P593
The Wright Buy Ltd
Unit 2 Piperell Way, Haverhill, Suffolk, CB9 8QW, United Kingdom