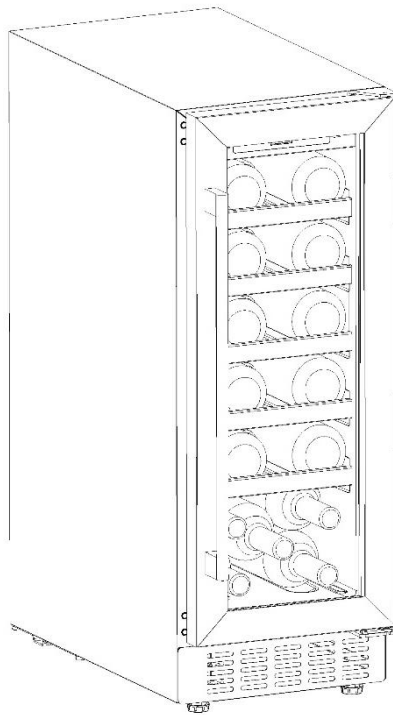


# COOKOLOGY

## Wine Cooler Instruction Manual

### CWC300SS & CWC301BK



***NOTE: Thank you for ordering your Cookology Wine Cooler. Please read this user manual before using the appliance and keep the instructions for future reference.***

***IMPORTANT: After Delivery, allow 24 hours before plugging the wine cooler in to allow the gases to settle.***

# Content

Safety instructions & warnings.....	1-3
Description of the appliance.....	3-5
Installation & operation.....	5-9
Troubleshooting.....	9
Maintenance and cleaning.....	10
Technical parameters.....	11

# Safety instructions & warnings

Your safety is of the utmost importance to our company. Please make sure that you read this instruction booklet before attempting to install or use the appliance. If you are unsure of any of the information contained in this booklet, please contact the Technical Department.



Prohibition



Warning



Caution



Caution

- This appliance can be used by children aged from 8 years and above and persons with reduced physical, sensory or mental capabilities or lack of experience and knowledge if they have been given supervision or instruction concerning use of the appliance in a safe way and understand the hazards involved. Children shall not play with the appliance. Cleaning and user maintenance shall not be made by children without supervision.
- Children should be supervised to ensure that they do not play with the appliance.
- This appliance is intended for HOUSEHOLD USE ONLY and not for commercial or industrial use.



Warning

- Keep ventilation openings, in the appliance enclosure or in the built-in structure, clear of obstruction.
- Do not use mechanical devices or other means to accelerate the defrosting process, other than those recommended by the manufacturer.
- Do not damage the refrigerant circuit.

- Do not use electrical appliances inside the storage compartments of the appliance, unless they are of the type recommended by the manufacturer.
- Make sure that the appliance is connected to power supply in accordance with the rating label.
- Use an independent grounded socket with 10A or higher, do not connect to transformer or socket with multiple outlets.
- Make sure socket is grounded properly and do not modify power cord & plug.
- Connect power plug with socket firmly in case of possible risk of fire.
- Plug should be within reach for easy disconnection after the appliance positioned in case of accidents occurred.
- Do not store or burn gasoline or other inflammables near the appliance in case of possible fire.
- Do not store inflammables, explosives, acid & alkaline liquids etc. in the compartment of the appliance.
- Do not operate other appliances in the compartment.

## Child Safety

- Do not allow child play inside the appliance in case of entrapment.

- Do not allow child hang on the door to play in case of falling of the appliance.
- Do not allow child reach into compressor compartment or touch metal components at rear of the appliance in case of possible injury.

### Keep away from water

- Do not spray water on the appliance or wash the appliance by pouring or filling water in case of invalid insulation and possible electric shock.

### Be careful of freezing

- Do not touch surface of the liner inside the compartment, especially with wet hand, in case of frozen injury while the appliance is in operation.

### Modification on the appliance not allowed

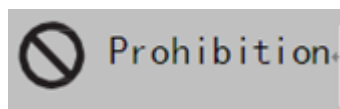
- Do not reconstruct the appliance by yourself which might cause damages to the appliance.

### Unplug the appliance under certain conditions

- Unplug the appliance before cleaning & maintenance.
- Unplug the appliance when power cut occurred.

### Disposal of the appliance

- Please according to local regulations regarding disposal of the appliance for its flammable refrigerant and blowing gas.
- Before you scrap the appliance, please take off the doors to prevent children trapped.
- Send the appliance to the designated disposal location.



### Do not damage the power cord

- Do not disconnect the appliance by pulling power cord rather than pulling the plug.
- Do not set the appliance above the power cord or step on the cord intentionally.
- Put the power cord at right place when moving the appliance.

### When the power cord is damaged

- Do not use damaged power cord, and get it replaced immediately by manufacturer service agent or by qualified electrician.
- If needed, extend the power cord with cord of 0.75mm<sup>2</sup> or bigger by qualified electrician.

● Children aged from 3 to 8 years are allowed to load and unload refrigerating appliances.

● The instructions shall contain details on the use of the appliance to ensure the safe preservation of foodstuffs. Manufacturers should give details on the most appropriate part in the compartment of the appliance where specific types of food shall be stored, considering the distribution of temperature that can be present in the different compartments of the appliance.

● To avoid contamination of food, please respect the following instructions: – Opening the door for long periods can cause a significant increase of the temperature in the compartments of the appliance. – Clean regularly surfaces that can come in contact with food and accessible drainage systems. – Clean water tanks if they have not been used for 48 h; flush the water system connected to a water supply if water has not been drawn for 5 days. – Store raw meat and fish in suitable containers in the refrigerator, so that it

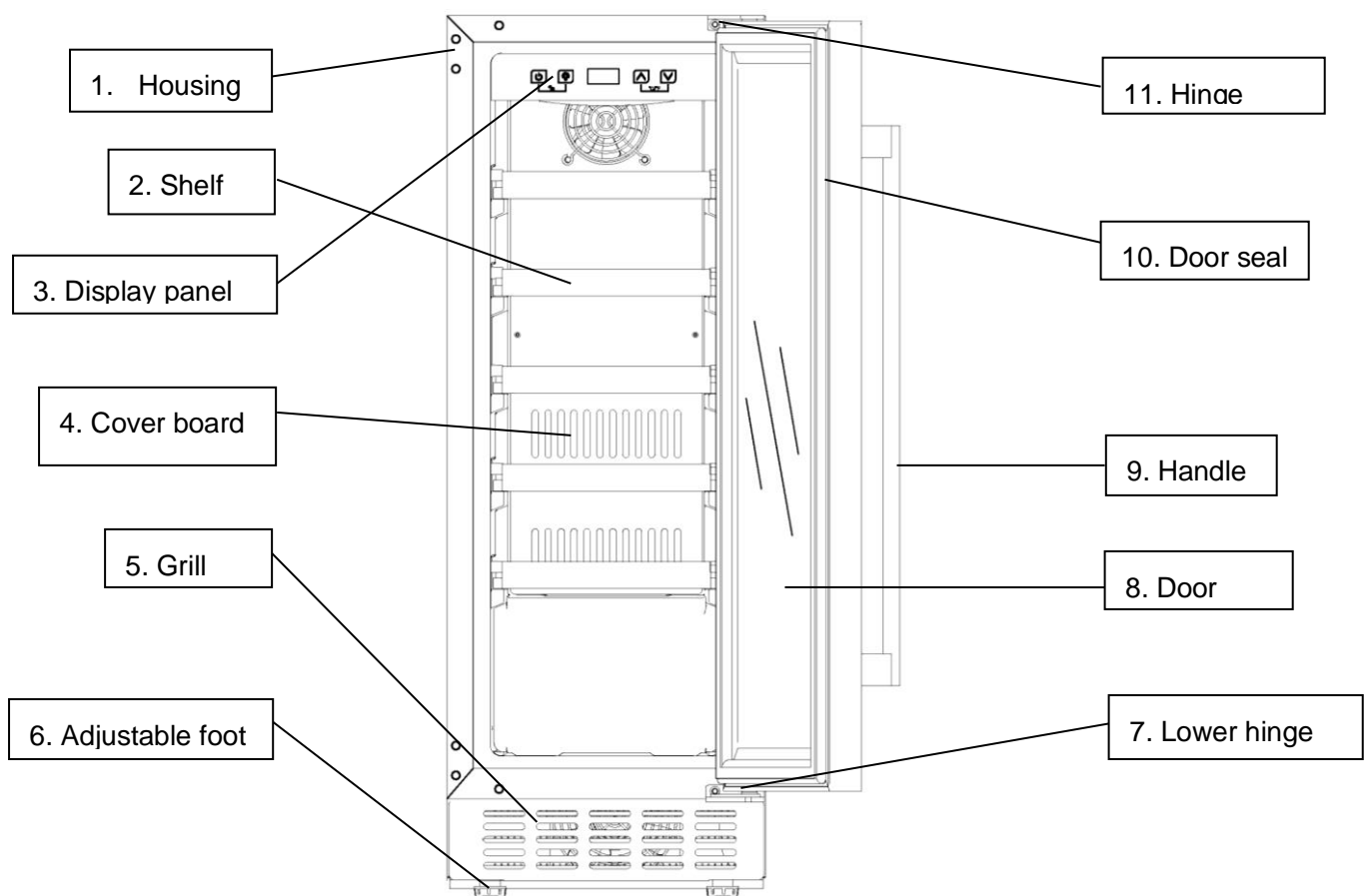
is not in contact with or drip onto other food.

- – Two-star frozen-food compartments are suitable for storing pre-frozen food, storing or making ice-cream and making ice cubes. – One-, two- and three-star compartments are not

suitable for the freezing of fresh food.  
– If the refrigerating appliance is left empty for long periods, switch off, defrost, clean, dry, and leave the door open to prevent mould developing within the appliance.

## Description of the appliance

### Accessories & name



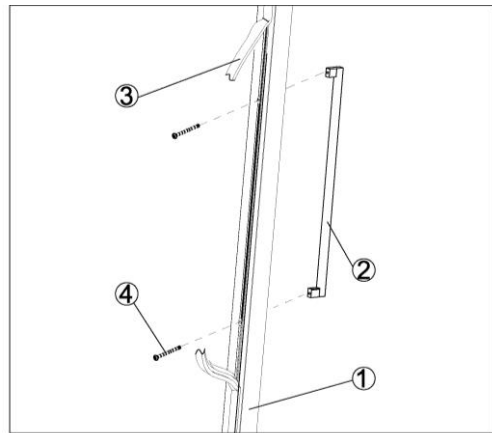
Note: Shelves, door frame, handle and other accessories could be different according to different models and configuration. All photos in this manual are for reference. The appliance you buy might not be exactly the same as shown here. Please refer to the actual product.

## Installing the handle and reversing the door of wine cooler

### 1. Install handle to the door frame of the appliance.

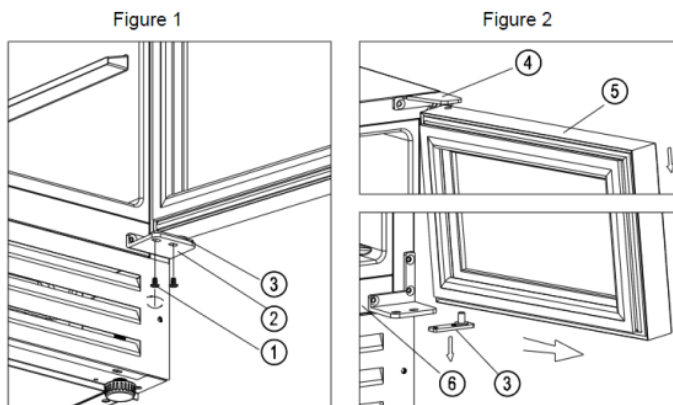
The handle is delivered in a separated package with screws together inside the appliance.

- ① Reveal two small holes on the door frame from inner side by pulling out a bit the door seal
- ② Aim the handle to the holes and insert the screws from inside
- ③ Screw them up with screw-driver
- ④ Put back door seal to cover the screws.

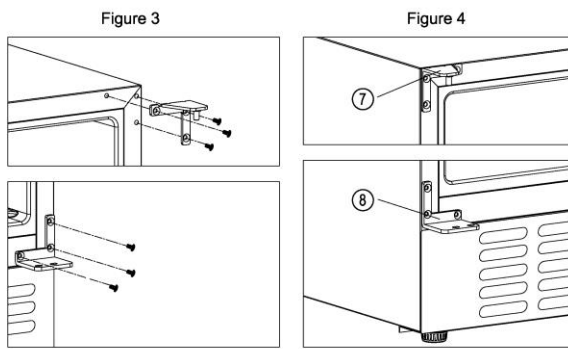


### 2. Reversing the door

Our wine cooler is delivered with the door opening from left to right. To reverse the opening direction:



- ❖ Open the door at 90 degrees and keep it steady.
- ❖ Unscrew the two screws①from the right lower hinge②[Figure 1].
- ❖ Pull the door⑤ outwards slowly [follow the arrowhead direction in Figure 2] to get off the lower hinge② and continue to pull the door⑤ downwards slowly until getting off from the top right hinge④, and take off the lower hinge plate③ from the door axis hole[Figure 2].



- ✧ Screw top right hinge (4) & right lower hinge (2) off from the cabinet (6) and keep them in the polybag for needs if you want to change back left opening door in the future. [Figure 3]
- ✧ Install the top left hinge (7) & left lower hinge (8) to the left side of the cabinet. ((7) & (8) delivered in a separated polybag inside the packing carton). [Figure 4]
- ✧ Turn the door (5) 180 degrees upside down and insert the lower hinge plate (3) to the bottom door axis hole. Fit the top door axis hole to the top left hinge (7) and put lower hinge plate (3) slowly on the left lower hinge (8) and keep the door steady. Screw up the left lower hinge with the plate. Door reversing is finished.

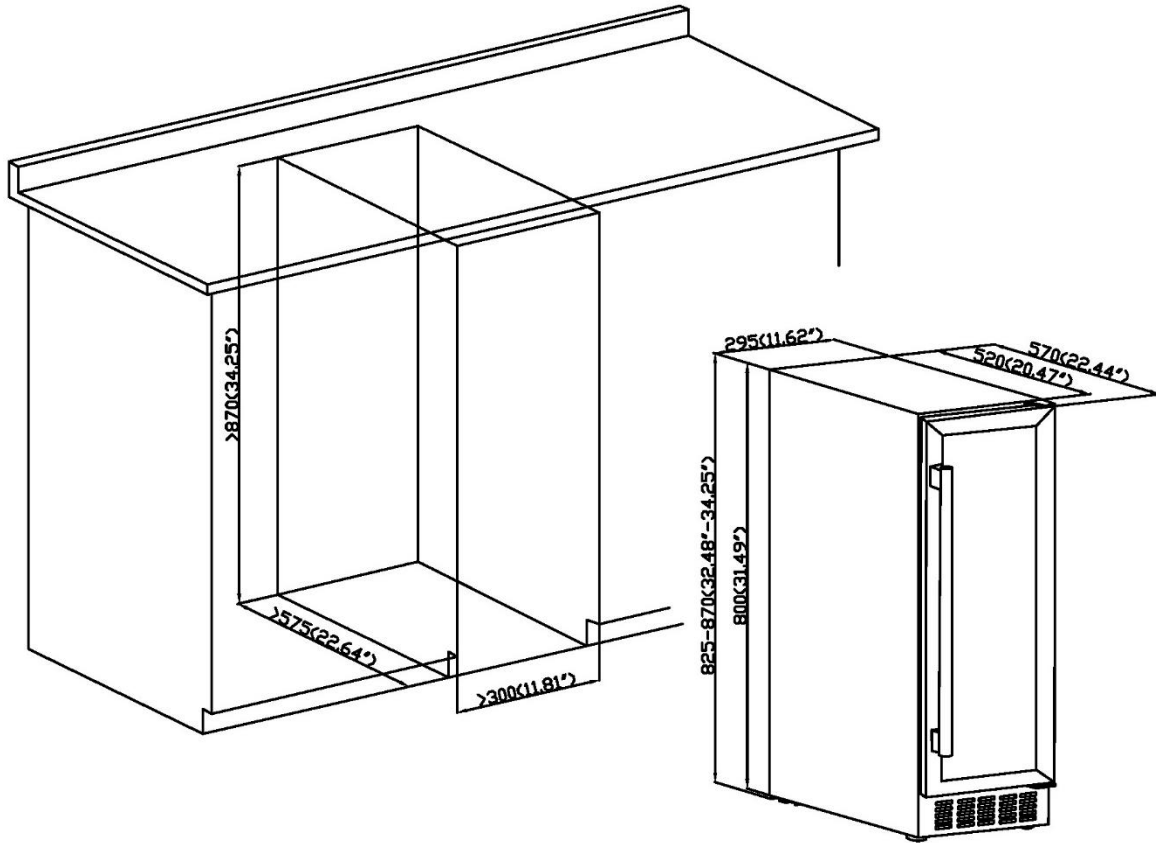
## Installation & operation

### Position

- ⚠ Do not lean the appliance over 45° when moving it to position.
- ⚠ The appliance must be put on flat, firm & dry floor or similar noncombustible pad; do not use the package foam pad.
- ⚠ Do not put the appliance in the wet place.
- ⊘ Do not use the appliance in the frozen place.
- ⊘ Do not use the appliance outdoor in case of sunlight or rain.

**The appliance is designed to either build under the counter or stand alone on the floor.**

Demonstration for building under the counter:



Wine bottles could be stored when you feel cooling inside after the appliance operates around 1 hour.

## Start operation

### 1. Cleaning the compartment

Before power on, clean inside of the appliance and check the drainage pipe in good connection. (For details, please refer to the "Maintenance and cleaning")

### 2. Put the appliance still

Before power on, level the appliance on the firm & dry floor for at least 30 minutes.

### 3. Power on

The appliance start operation and it will cool down inside after 1 hour, otherwise you should check the power connection.



## Control panel



All keys would be invalid in lock mode. Please unlock first.



### ON/OFF

1. Keep pressing the key 3 seconds, power down, goes to stand-by mode.
2. Keep pressing the key again 3 seconds to return back to normal working.



### Light

Press the key, turn on or turn off the LED lights inside. In stand-by mode, the key is invalid.



### UP

Press the key once, LED Display in regular flash showing current set temperature. Continue pressing to adjust set temperature, one press increase 1 °C. Regular flash quit after 5 seconds detecting no press and new set temperature save. LED display return to show actual temperature inside.



### Down

Press the key once, LED Display in regular flash showing current set temperature. Continue pressing to adjust set temperature, one press reduce 1 °C. Regular flash quit after 5 seconds detecting no press and new set temperature save. LED display return to show actual temperature inside.



### Child Lock (Combination key)

1. Lock: Press both keys at the same time for 3 seconds to lock.
2. Unlock: Press both keys at the same time for 3 seconds to unlock.



### Fahrenheit/Celsius display interchange

Switch temperature display between Fahrenheit and Celsius by pressing both keys.

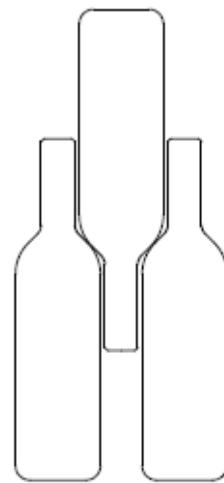
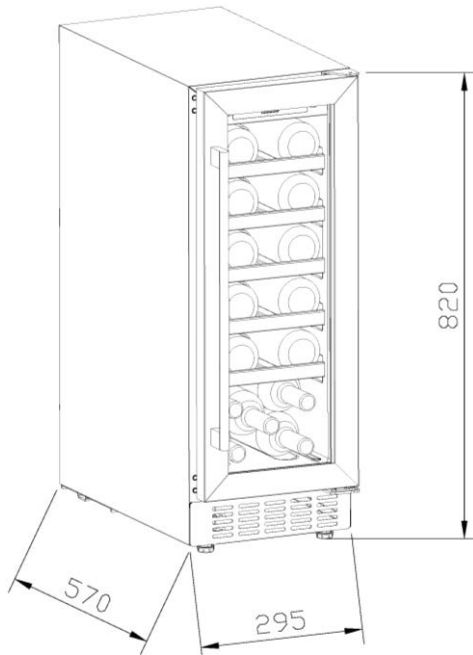


### Attention

1. The cooling temperature could be set from **5-20°C**.
2. Alarm sound: when the system malfunction occur and alarm sound, press any key on the control panel to cancel the alarm sound.
3. Temperature sensor failure:  
When the temperature sensor failures occur, error code displays. E1 for open circuit; E2 for short circuit..

## Wine storage

- ✧ The appliance equip with sufficient independent shelf to allow your collection of wine get mature quietly and peacefully.
- ✧ 5 shelves loading capacity: **20** bottles. (standard Bordeaux with 750ml )



**Bottle arrangement**

Loading capacity will vary in terms of different way of bottle arrangement or different bottle sizes.

- ✧ Each shelf is designed to put on 1 or 2 layers of wine bottles. More than 2 layers of bottle arrangement on one shelf are not recommended.
- ✧ Each shelf with sliding roller could pull out partly to store wine bottles easily.
- ✧ Open the door straight enough before pulling out shelves.

- ✧ If the wine cooler would have no load for a long time, it is recommended to power it off, clean it carefully, and open the door for ventilation.
- ✧ Below table is the recommended temperature for wine storing & drinking:

Red Wine	15-18°C
White Wine	9-14°C
Rose wine	10-11°C
Champagne & sparkling wine	5- 8°C

## Troubleshooting

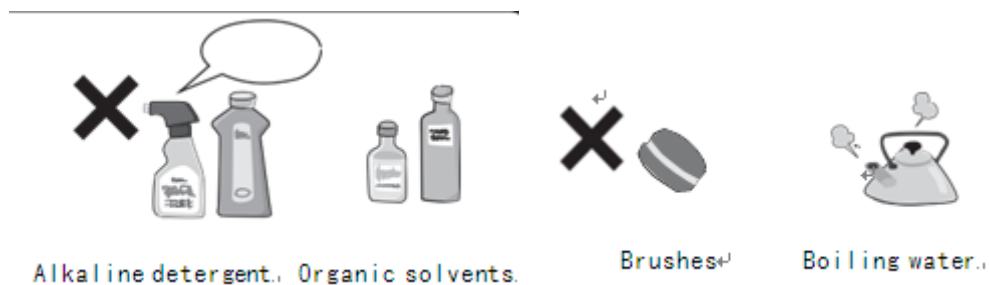
The appliance makes lots of noise?	<ul style="list-style-type: none"> <li>● Please adjust the front foot, keep the appliance leveling.</li> <li>● Please keep the appliance a bit space from walls.</li> </ul>
Liquid flowing sound inside the cabinet?	<ul style="list-style-type: none"> <li>● It is normal because of the refrigerant working inside.</li> </ul>
The appliance does not start?	<ul style="list-style-type: none"> <li>● Make sure the appliance is connected to the power properly.</li> <li>● Make sure switch on the power.</li> <li>● The compressor re-starts after 5 minutes for a power cut.</li> </ul>
Compressor runs continuously?	<ul style="list-style-type: none"> <li>● If no cold is being produced, call the after-sale service.</li> </ul>
Door does not seal tightly ?	<ul style="list-style-type: none"> <li>● After long time use, the door seal might get stiff &amp; distorted partially.               <ol style="list-style-type: none"> <li>1. Heat the door seal with hot-wind blower or hot towel.</li> <li>2. The door seal get softened and close the door.</li> </ol> </li> </ul>
The appliance does not cool sufficiently?	<ul style="list-style-type: none"> <li>● Please adjust temperature setting.</li> <li>● Keep the appliance away from sunlight or heat.</li> <li>● Please do not open the door frequently.</li> </ul>
Unpleasant smells inside cabinet?	<ul style="list-style-type: none"> <li>● A little bit plastic smell for newly-buy appliance is normal and will disappear after a short time.</li> <li>● Clean the compartment and ventilate it for a few hours.</li> </ul>
Condensate on the glass door?	<ul style="list-style-type: none"> <li>● Please do not open the door frequently or for a long time.</li> <li>● Please do not set the temperature too low.</li> <li>● High ambient temperature and humidity would cause condensate.</li> </ul>
The light is not working ?	<ul style="list-style-type: none"> <li>● Check the power supply first.</li> <li>● Call the retailer's after-sale service if the light is broken.</li> </ul>

# Maintenance and cleaning

## Cleaning

- Disconnect the appliance before cleaning.
- Clean the appliance with soft cloth or sponge by water.
- Do not use organic solvents, alkaline detergent, boiling water, washing powder or acid liquid etc.
- Do not flush the compartment of the appliance.

The below items will damage the surface of wine cooler:



## Power cut

Most power cuts could be resolved within a short time. To protect your wines during a power cut, avoid opening the door as much as possible. During very long power cuts, take the necessary measures to protect your wine.

## Out of service for long time

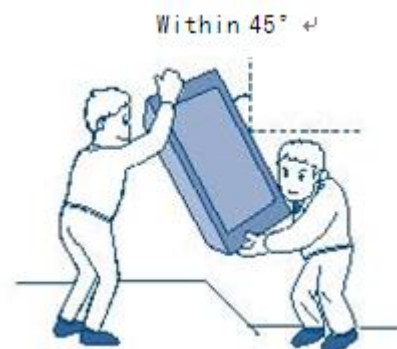
Remove all bottles from the appliance, unplug the appliance, thoroughly clean the inside and outside of the appliance, store the appliance properly.



If the appliance is disconnected or if there is a power cut, you must wait at least five minutes before re-starting.

## Moving the appliance

- Cut off the power supply and unplug the appliance.
- Remove all bottles from the appliance.
- When moving the appliance, do not lean the appliance over 45°.



# Technical parameters

<b>Product model</b>	CWC300SS & CWC301BK
Voltage/frequency	220-240V/50Hz
Refrigerant/weight	R600a/18g
Effective volume	56 L
Loading capacity	20 bottles
Net weight	29kg
Unit dimension (WxDxH)	295×570×825-870 mm
Packing dimension (WxDxH)	329×625×865 mm

## Remarks :

1. The Net weight includes shelves and the Unit dimension is without handle on the door.
2. The manufacturer reserves all the rights to change the above parameters without prior notice. Please refer to the nameplate of your appliance.
3. Loading capacity will vary in terms of different way of bottle arrangement or different bottle sizes (standard Bordeaux with 750ml is applied here).
4. Product height could be increased to 870mm by adjusting the 4 feet.

## ENVIRONMENTAL PROTECTION

Do not dismantle the appliance in a way which is not shown in the user manual. The appliance could not be dismantled by user. At the end of life, the appliance should not be disposed of with household waste. Check with you Local Authority or retainer for recycling advice.



This appliance is marked according to the European directive 2012/19/EU on Waste electrical and Electronic Equipment (WEEE). By ensuring this product is disposed of correctly, you will help prevent potential negative consequences for the environment and human health, which could otherwise be caused by inappropriate waste handling of this product.