

COOKOLOGY

Under Counter Larder Fridge

USER'S MANUAL

UCFR130WH

UCFR130BK



IT IS HAZARDOUS FOR ANYONE OTHER THAN AUTHORISED SERVICE PERSONNEL TO CARRY OUT SERVICING OF REPAIRS WHICH INVOLVE THE REMOVAL OF COVERS.



TO AVOID THE RISK OF AN ELECTRICAL SHOCK DO NOT ATTEMPT REPAIRS YOURSELF.

SAFETY WARNINGS

For your continued safety and to reduce the risk of injury or electric shock, please follow all the safety precautions listed below.

- Read all instructions carefully before using the unit and keep them for future reference.
- Retain the manual. If you pass the unit onto a third party, make sure to include this manual.
- This appliance is intended for indoor household use and similar applications such as by guests in a hotel.
- Ensure that the plug is easily accessible to enable disconnection from the mains supply.
- If the mains cable is damaged, it must be replaced by the manufacturer, its service agent or a qualified technician in order to avoid a hazard.
- Choose a location for your unit away from heat sources such as radiators or fires as refrigerant and vesicant are burnable.
- The unit must be maneuvered by a minimum of 2 persons.
- This appliance can be used by children aged from 8 years and above and persons with reduced physical, sensory or mental capabilities or lack of experience and knowledge if they have been given supervision or instruction concerning use of the appliance in a safe way and understand the hazards involved. Children shall not play with the appliance. Cleaning and user maintenance shall not be made by children without supervision.
- Children should be supervised to ensure that they do not play with the unit.

- If your unit is fitted with a lock to prevent children being trapped inside, keep the key out of reach and not in the vicinity of the unit.
- Do not store explosive substances such as aerosol cans with a flammable propellant in this appliance.
- Keep ventilation openings in the unit enclosure or in the built-in structure clear of obstructions.
- Do not use mechanical devices or other means to accelerate the defrosting process, other than those recommended by the manufacturer.
- Do not use electrical appliances inside the food storage compartments of the unit, unless they are of the type recommended by the manufacturer.
- Do not damage the refrigerant circuit (The refrigerant is a very environmental-friendly gas but is also combustible. Take care when transporting or moving the unit to ensure that the refrigeration circuit is not damaged. In the event of damage avoid naked flames or ignition sources and ventilate the room in which the unit is placed for a few minutes.)

Dear customer:

Thank you for purchasing your new under counter fridge. To ensure that you get the best results from your new fridge, please take time to read through the simple instructions in this booklet.

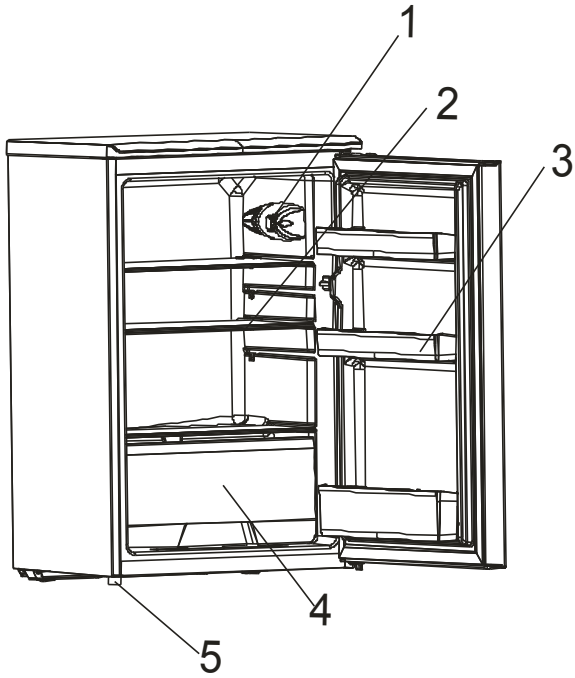
Please ensure that the packing material is disposed of in accordance with the current environmental requirements.

As old refrigerator equipment may contain CFC's which will damage the ozone layer.

When disposing of any refrigerator equipment please contact your local waste disposal department for advice on safe disposal.

This appliance must be only used for its intended purpose.

PRODUCT OVERVIEW



- 1、 Thermostat
- 2、 Glass shelf
- 3、 Plastic pallet
- 4、 Crisper
- 5、 Leveler leg

INSTALLATION

Place the fridge in a location with a firm base. In order to prevent vibration and noise, the fridge must be leveled by adjusting the front feet.

Choose a well ventilated location with no less than 10cm clearance around the fridge.

Site the fridge away from direct sunlight and heat sources such as an oven or boiler.

WARNING: ALLOW THE GASES IN THE FRIDGE TO SETTLE FOR 24 HOURS BEFORE PLUGGING IN!

For your safety, please read the following information:

Warning: This appliance must be earthed.

DANGER or WARNING:

1. Risk of child entrapment. Before you throw away your old refrigerator or freezer:

-Take off doors.

-Leave the shelves in place so that children may not easily climb inside.”

2. Do not use extension cords.

USE OF THE APPLIANCE

1. When operating the refrigerator for the first time, run it without loading any food until it autos tops at the desired temperature. Usually it takes 2 or 3hours, then set the thermostatic dial at the setting desired and put foods in the refrigerator.
2. The temperature of the refrigerator can be adjusted by turning the thermostatic dial. A medium setting of the thermostatic dial is the most suitable for general operation.
3. Defrost the freezing compartment whenever the layer of frost on the surface of the evaporator reaches 3 or 4 mm. When defrosting, remove all food and set the thermostat at the "OFF" position. Put the drip tray under the evaporator to collect melted water. After the frost has melted, discard the melted water and dry the interior of refrigerator. The refrigerator can then be restarted by turning its thermostat to the desired setting.

Cautions for Use

1. The more you fill the Fridge and the longer you have the door open, the higher the electric consumption. Overloading the appliance can lead to a malfunction.
2. Do not place objects which are too heavy, pointed or corroded in the Fridge.
3. Leave a 10 minute interval between unplugging and then plugging in the Fridge.
4. Try not to open the door during a power-cut.
5. When defrosting, never use any sharp or metallic objects to remove the frost on the surface of the evaporator as it will damage the evaporator.
7. Don't touch with wet hands.

MAINTENANCE

1. While cleaning the refrigerator, pull out the electric power plug, rub carefully with a piece of cloth soaked with natural cleanser then wipe with clean water. The abrasive cleaning power, alkali cleansers, chemical cloth, thinner, alcohol, acid petroleum product and hot water are not suitable for cleaning the refrigerator, they may damage the painting cover and plastics.
2. The door gasket is dirty and fogged easily, so clean it frequently.
3. If the refrigerator is out of use for a long time, please pull out the plug, clean and dry the freezing compartment then close the door tightly.

The following cases are not malfunction

1. A flowing water sound:
Flowing water sound will be heard under normal operation.
2. Outside condensation:
Outside condensation is normal in high humidity condition. You may just wipe it up yourself.
3. It takes some times for the temperature to become cold after the refrigerator starts to operate: If the temperature of the two compartments is higher while the refrigerator is operating, it takes some times for the temperature of the two compartments to become cold. If the environmental temperature is higher, it takes a long time to make the compartments to become cold.
4. The surface of the compressor becomes hot:
The surface of the compressor may become hot under normal operation. Don't touch it with hands.

Methods of inspecting malfunction

If any case of malfunction happens, please inspect and dispel it according to the methods shown in the following table.

case	Inspection
Not refrigerating	Is there no electric current? Is the voltage normal or not? Has the socket fused? Has the plug been put in effectively?
Not efficient	Is the thermostatic dial set to the correct position? Is there any suitable clearance surrounding the refrigerator? Has the door been opened too frequently or too long? Is the refrigerator exposed to sunlight directly or placed near some heating devices. Are there too many foods inside? Or are they too hot?
Food frozen in the refrigerator Compartment	Is the thermostatic dial set to the correct position? Have the foods stuff been put too crowded?
Noises	Is the refrigerator installed firmly? Has the refrigerator been struck by some other objects?
Compressor Cannot stop automatically	Are the foods stored too much at one setting? Is the door opened too frequently or too long?

If the above methods are not yet effective, please contact with the maintenance service department for help without any delay.

PROLONGED OFF PERIODS.

If the fridge is not in use for a long period of time, proceed as follows:

Disconnect the fridge from the main supply by removing the plug from the wall socket.

Clean and dry the inside as instructed under the heading of cleaning the fridge.

Leave the door open to prevent any unpleasant smells from building up while the fridge is not in use.

For household refrigerating appliances

Try not to open the door too often, especially when the weather is wet and hot. Once you open the door, mind to close it as soon as possible.

Every now and then check if the appliance is sufficiently ventilated (adequate air circulation behind the appliance).

For household refrigerating appliances, in normal temperature conditions, please arrange the thermostat at the middle setting.

Before loading the appliance with packages of fresh food, make sure they are cooled to ambient temperature.

Ice and frost layer increase energy consumption, so do clean the appliance as soon as the layer is 3-5 mm thick.

If it is the outer condenser, the rear wall should be always clean free of dust or any impurities.

Always consider instructions stated in sections Positioning and Energy Saving Tips, otherwise the energy consumption is substantially higher.

DISPOSAL

- Old units still have some residual value. An environmentally friendly method of disposal will ensure that valuable raw materials can be recovered and used again. The refrigerant used in your unit and insulation materials require special disposal procedures. Ensure that none of the pipes on the back of the unit are damaged prior to disposal.
- Up to date information concerning options of disposing of your old unit and packaging from the new one can be obtained from your local council office.
- When disposing of an old unit break off any old locks or latches and remove the door as a safeguard.