

# COOKOLOGY

## Instruction Manual THERMOELECTRIC MINI-BAR



Please read this manual before use and save for future reference.

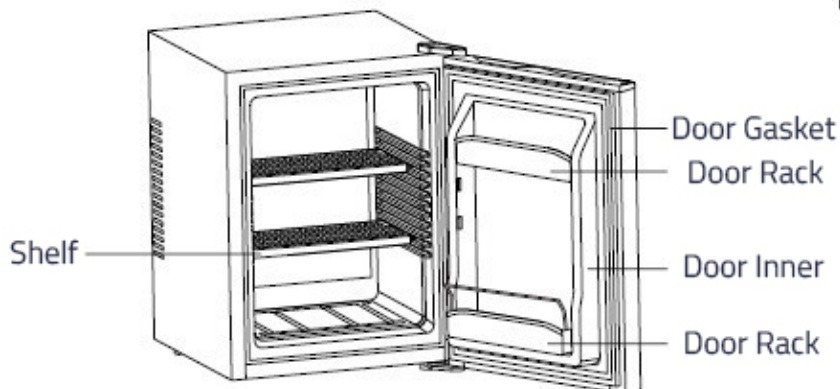
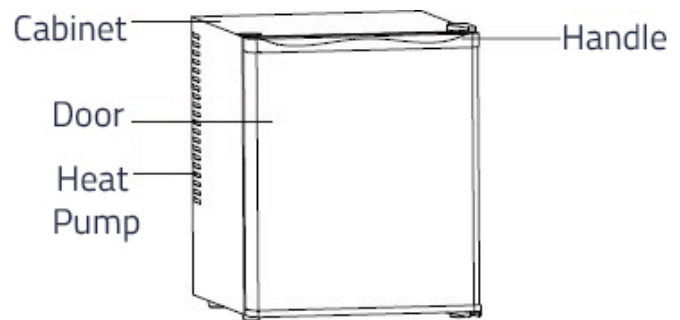
MODEL: CMB28BK/CMB40BK

PLEASE REGISTER YOUR NEW APPLIANCE AT [WWW.COOKOLOGY.COM](http://WWW.COOKOLOGY.COM)

# COOKOLOGY

## PARTS ON YOUR APPLIANCES

Before using the appliance for the first time and installing, please read this user manual to ensure that you gain the maximum benefit from it.



## WARNINGS

1. This appliance is manufactured in accordance with the safety regulations.
2. Operations against the rules cause harm both to the person and the appliance.
3. Children should be supervised to ensure that they do not play with the appliance.
4. If the supply cord is damaged, it must be replaced by the manufacturer, its service agent or similarly qualified person in order to avoid a hazard.
5. To avoid a hazard due to instability of the appliance, it must be fixed in accordance with the instructions.
6. When positioning the appliance, ensure the power cable is not trapped or damaged.
7. Do not locate multiple extension socket-outlets or portable power supplies at the rear of the appliance.
8. Keep ventilation areas open and clear, if the appliance is in an enclosure or in a built-in structure, ensure it is clear of obstruction and has adequate ventilation.
9. Do not use mechanical devices or other means to accelerate the defrosting process, other than those recommended by the manufacturer.
10. Do not damage the refrigerant circuit.
11. Do not use electrical appliances inside the storage compartments of the appliance, unless they are of the type recommended by the manufacturer.
12. Do not store explosive substances such as aerosol cans with a flammable propellant in this appliance.
13. This appliance is intended to be used in household and similar applications such as;
  - staff kitchen areas in shops, offices and other working environments;
  - farm houses and by clients in hotels, motels and other residential type environments;
  - bed and breakfast type environments;
  - catering and similar non-retail applications.
14. To avoid contamination, please follow the following instructions:
  - Opening the door for long periods can cause a significant increase of the temperature in the compartments of the appliance.
  - Clean surfaces that can come in contact with food and accessible drainage systems.
  - If the refrigerating appliance is left empty for long periods, switch off, defrost, clean, dry, and leave the door open to prevent mould developing within the appliance.

# COOKOLOGY

## INSTALLATION

When installing this Mini-Bar refrigerator, ventilation should be considered seriously, please refer to the following:

There should be left at least 200 cm<sup>3</sup> for ventilation in total

The following four pictures (below) show four different installation ways.

This refrigerator is designed to be freestanding, and should not be recessed or completely built-in (Fully enclosed cupboard). Allow 5cm of space on the sides of the refrigerator, which allows the proper air circulation required for good operation and a very minimum of 2cm on the back wall. Place your refrigerator on a surface that is strong enough to support it when it is fully loaded.

Located the refrigerator away from direct sunlight and sources of heat (stove, heater, radiator, etc.). Direct sunlight may affect the acrylic coating and heat sources may increase electrical consumption. Extreme cold ambient temperatures may also cause the unit not to perform properly. This refrigerator uses thermoelectric refrigeration technology (no compressor) and is not designed for storage in cold areas like garages, warehouses or outdoors.

Avoid locating the unit in moist areas.

Plug the refrigerator into an exclusive, properly installed-grounded wall socket. Do not under any circumstances cut or remove the third (ground) prong from the plug. Any questions concerning power requirements please get in touch with a manufacturer.

After plugging the refrigerator into a mains wall socket, allow the unit to cool down for at least 2-3 hours before placing items inside.



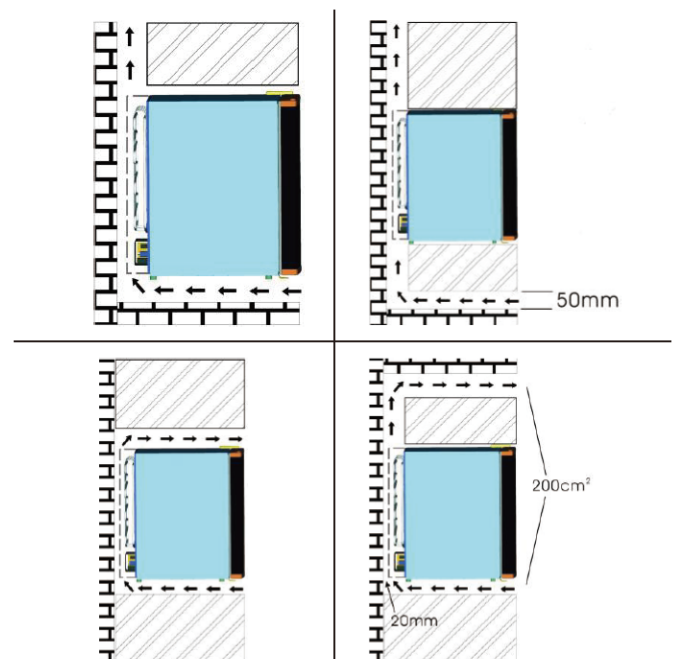
### Setting the Temperature Control:

Your refrigerator has only one control for regulating the temperature.

The temperature control is located on the top of the refrigerator inside.

To control the internal temperature, adjust the control knob according to the ambient temperature or purpose of use.

The range of the temperature control is from position "0" to "3"



**Note:** This appliance contains flammable refrigerant R600a and foaming agent cyclopentane. Please keep in the upright vertical position.

Please send it to your local WEEE disposal recycling centre when you discard it.

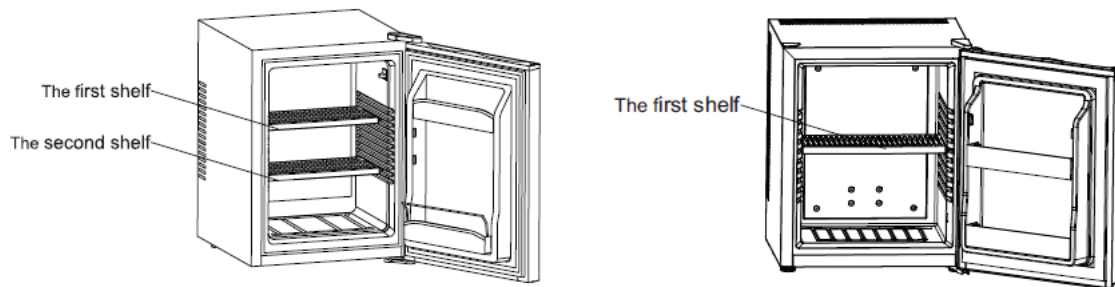
# COOKOLOGY

## REVERSIBLE DOOR

This refrigerator has the capability of the door opening from either the left or right side. The unit is delivered to you with the door opening from the left side. Should you desire to reverse the opening direction, please follow the below instructions.

Remove the hinge cover with a flat head screwdriver from the rear, and pull forward.  
Remove the three screws from right hinge on the upper and lower hinges  
Remove the hinge (upper and lower) completely away along with the door  
Move the hinges to the opposite side, fixing them with the same screws you removed before  
Re-fit the door and level with spirit level  
Re-fit the hinge cover / hinge screw sticker if applicable.

## PRODUCT FUNCTIONS



It is intended to be used exclusively for the mini bar cellar  
This refrigerating appliance is not suitable for the freezing operation.  
The mini bar is recommended to be operated at +12c  
The following arrangement of shelves is recommended for energy consumption to be used as efficiently as possible.  
When the surrounding temperature is 25c and the mini bar has no products loaded, it will take around 3.5 hours to decrease the interior temperature from 25c to 12c.  
The cellar is recommended to be operated at 12c. The energy consumption is shown in the table below. If the setting temperature is higher than 12c, the energy consumption will be lower. If the setting temperature is lower than 12c, the energy consumption will be higher.

## ENERGY SAVING TIPS

The refrigerator should be located in the coolest area of the room, away from heat producing appliances, and out of the direct sunlight.  
Overloading the refrigerator forces the thermoelectric cooling system to run for longer.  
Reduce door openings and extended searches, remove as many items as needed at one time, and close the door as soon as possible.  
One characteristic of mini-bar units is the length of time it requires to recover from having the door opened and shut frequently. It may be necessary to wait longer for the temperature to return to its former level once the door has been opened for too long.  
This is normal for this type of unit.  
Heat-pipe technology costs just pennies to operate. It is environmentally friendly due to no CFC's and HCFC's used.

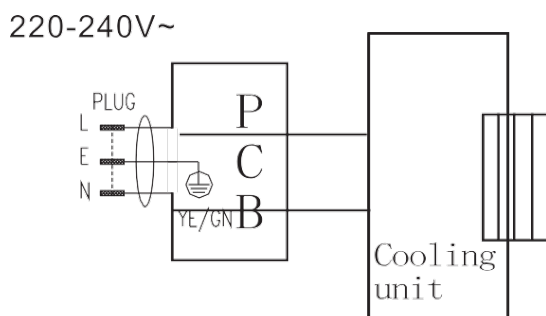
# COOKOLOGY

## TROUBLE SHOOTING

PROBLEM	POSSIBLE CAUSE
Refrigerator does not operate	Not plugged in.
	The circuit breaker tripped or a blown fuse.
	The room temperature is hotter than normal.
	The door is opened too often.
	The door is closed completely.
	The temperature control is not set correctly
	The door gasket does not seal properly.
	The refrigerator does not have the correct clearances.
The light does not work	Not plugged in.
	The circuit breaker tripped or a blown fuse
	The LED light needs replaced
Vibrations	Check to assure that the refrigerator is on level
The door will not close properly	The refrigerator is not level.
	The door was reversed and it was not properly installed.
	The gasket is dirty.
	The shelves or door pocket holders are out of their correct position.

If problems are still occurring, you can contact us at [help@cookology.com](mailto:help@cookology.com)

### ELECTRIC DIAGRAM



Symbol ISO 7010 W021

Warning; Risk of fire/flammable materials



MODEL NO.	CMB28BK/CMB40BK
Net Capacity(liters)	CMB28BK / CMB40BK
Voltage(V)	220-240
Frequency (Hz)	50
Rated Power(W)	58
Dimension(mm)	380x380x475 / 405x434x545
Packing (mm)	450x445x540 / 476x508x615
Net Wight(kg)	9.0 / 11.7
Gross Wight(kg)	12.3 / 15

MODEL NO.	ENERGY CONSUMPTION
CMB28BK	0.356 kWh/24h
CMB40BK	0.444 kWh/24h

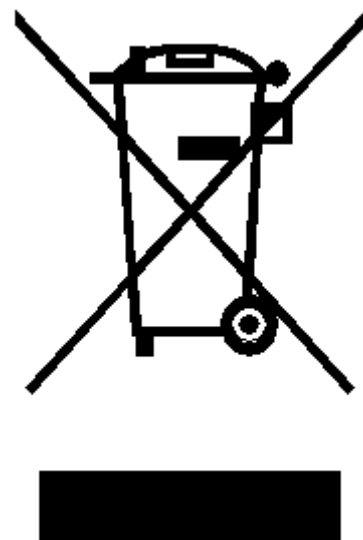
## WARRANTY

Your Cookology Appliance is covered by a 1 year guarantee from the date of purchase. If a fault develops during this period, please contact our customer service team to arrange support on making your claim. Please note: Upon receipt of your appliance, be sure to register your warranty by visiting our website and completing the form.

UK: Waste electrical products should not be disposed of with household waste. Please check with your local authority or retailer for recycling advice.

Cookology  
The Wright Buy Limited  
Unit 2 Piperell Way  
Haverhill, Suffolk  
CB9 8QW  
UNITED KINGDOM

Cookology Limited  
Ground Floor  
71 Lower Baggot Street  
Dublin 2, D02 P593  
IRELAND



PLEASE REGISTER YOUR NEW APPLIANCE AT [WWW.COOKOLOGY.COM](http://WWW.COOKOLOGY.COM)