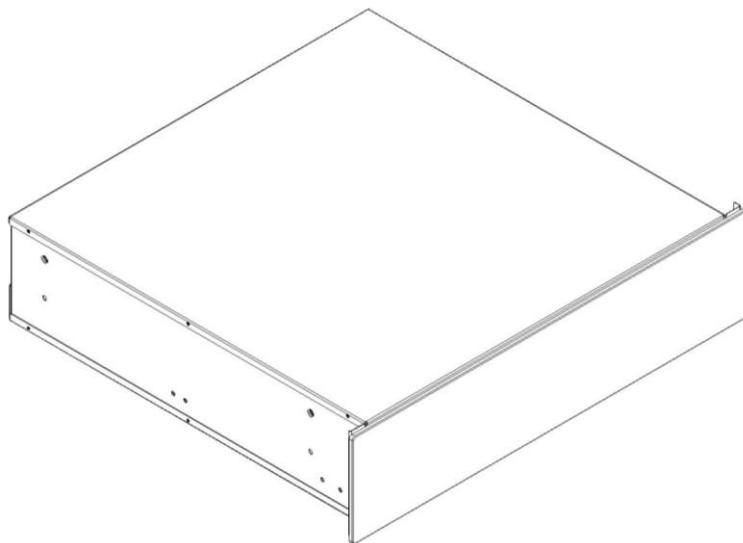


COOKOLOGY

**CWD140SS
CWD140BK**

Warming Drawer Instruction Manual



Please register the warranty for this product on www.Cookology.com

Content

| | |
|-----------------------------------|-----|
| Important safety information..... | 3-4 |
| Product description..... | 4 |
| Installation..... | 5 |
| Using the warming drawer..... | 6 |
| Maintenance and cleaning..... | 6 |

Important safety information

Note:

This manual contains important information, safety instructions and installation instructions and so on, which will help you become familiar with this product. Please place this manual in a safe place for easy future access. Or always refer to you and anyone who is not familiar with how to use this product.

General Information

1. Your safety is of the utmost importance to us. Please make sure that you read this instruction booklet before attempting to install or use the appliance. If you are unsure of any of the information contained in this booklet, please contact the Technical Department.
2. The adjacent furniture or housing and all materials used in the installation must be able to withstand a minimum temperature of 85°C above the ambient temperature of the room it is located in, whilst in use.
3. Any damage caused by the appliance being installed in contravention of this temperature limit, or by placing adjacent cabinet materials closer than 4mm to the appliance, will be the liability of the owner.
4. The use of this appliance for any other purpose or in any other environment without the express agreement of the manufacturer will invalidate any warranty or liability claim.
5. Your warming drawer has a quality guarantee for any possible circuit or technical defects, except excluding the case exception listed in the warranty certificate, and the aforementioned terms do not affect your legal rights.
6. All product repairs shall be conducted by the company's service engineer or an authorized service agent

Child Safety

1. We strongly recommend that babies and young children are prevented from being near to the appliance and not allowed to touch the appliance at any time.
2. If it is necessary for younger family members to be in the kitchen, please ensure that they are kept under close supervision at all times.

General Safety

1. This appliance is not intended for use by persons (including children) with reduced physical, sensory or mental capabilities, or lack of experience and knowledge, unless they have been given supervision or instruction concerning use of the appliance by a person responsible for their safety
2. Do not allow electrical fittings or cables to come into contact with areas on the appliance that get hot.
3. Do not install the appliance next to curtains or soft furnishings.
4. Do not try to support or move kitchen equipment with the doors or handles of the warming drawer, as this may cause accidental damage to the product or injury.

Installation



This appliance must be correctly installed by a suitably qualified person, strictly in accordance with the manufacturer's instructions.

1. The Company will reject liability for any personnel and property caused from improper installation or use of equipment.
2. Please consult with your qualified installer if you are in any doubt about the amount of ventilation that you will require

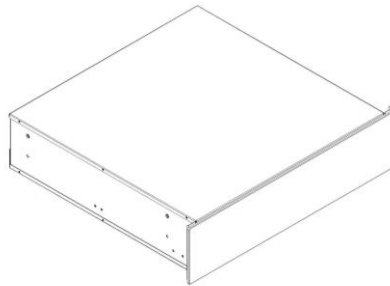
Relevant statement

1. This appliance is manufactured by certified qualified materials and the product must follow the current standards during installation. This product can only be used by trained personnel.

Product description

Product size:

Height: 138mm
Width: 595 mm
Depth: 545mm

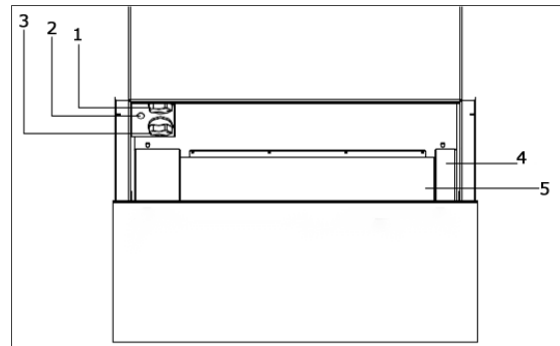


Product specifications:

Rated use voltage: 220-240V~ 50/60Hz
Rated use power: 410W
Volume: 25L
Temperature range: 30-70°
Timed range: 0-120 mins

Product View:

1. Control panel
2. Temperature control dial
3. Power light
4. Removable drawer
5. Anti-skid mat



Installation



The installation must be carried out by a suitably qualified person, in accordance with the current version of the following.

Current standard

- Before connecting the appliance, make sure that the supply voltage marked on the Rating Plate corresponds with your mains supply voltage.
- The power system and sockets shall be able to withstand the maximum rated current limit indicated in this appliance. If the socket and plug do not match, a professional electrician should replace the proper socket.

WARNING: THIS APPLIANCE MUST BE EARTHED.

✚ If you have to change the warming drawer power cord, the earthing (yellow/green) conductor must always be 10 mm longer than the line conductors.

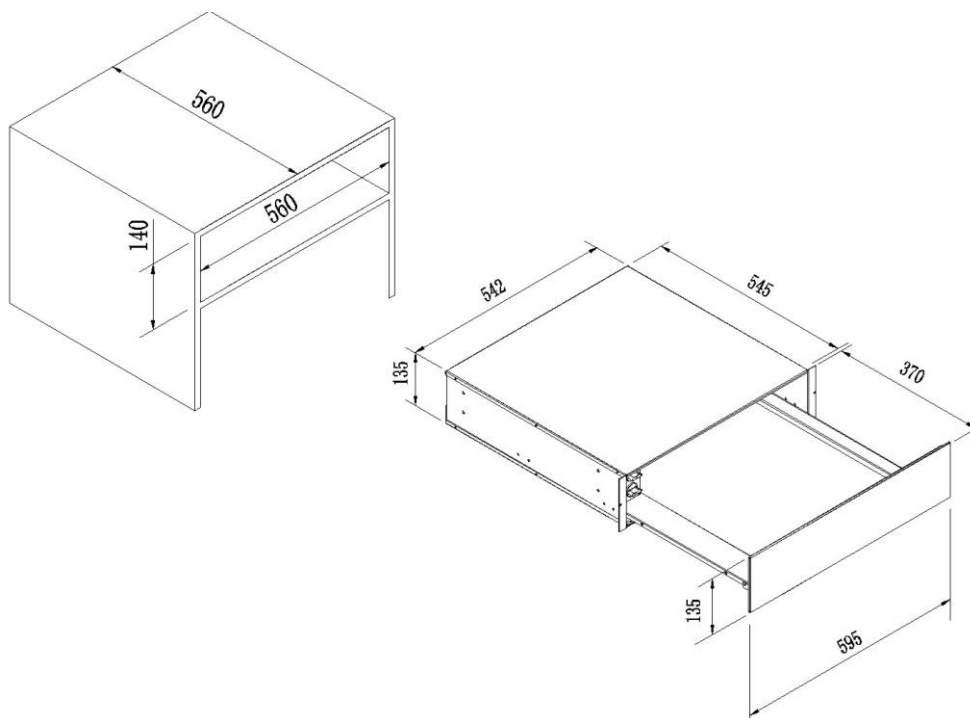
✚ Care must be taken to ensure that the ambient temperature of the AC wire does not exceed 50°C.

✚ If the AC wire is damaged, then it must be replaced by an appropriate replacement which can be obtained from the Spares Department.

Installing the warming drawer into the kitchen cabinet

Positioning the appliance

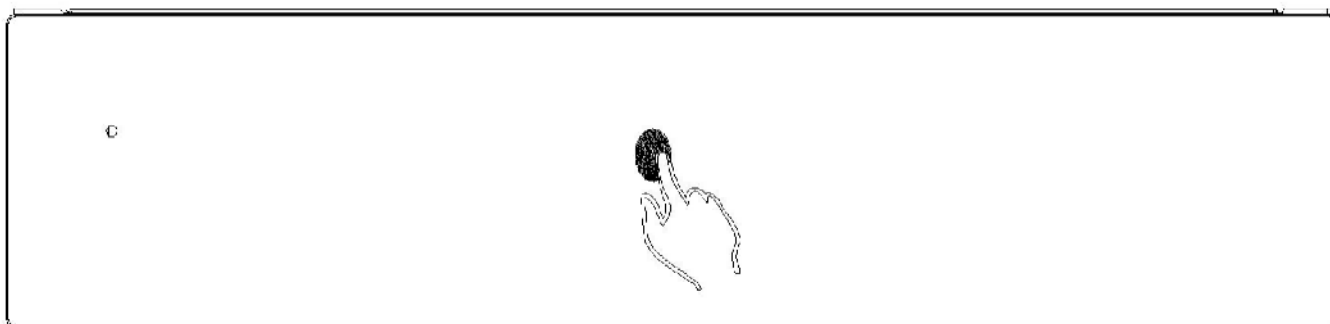
- ✧ Ensure that the appliance is safely install in the cabinet, open the movable door, and fix the appliance to the cabinet with two screws and glue covers.
- ✧ All components that ensure safe operation of the appliance can only be removed with special tools.



Using the warming drawer

Power on

- ✧ Plug in the power plug and turn on the timer switch, at this time the indicator light is on. In adjusting the temperature, at this point to start the work. When the timer time is up, the product will automatically shut down, and at the same time, you will hear the sound of "ding dong".
- ✧ When using the warming drawer without handle, press the middle of the instrument panel with your finger and push it into the box. Release the finger, and the instrument panel automatically opens. Refer to below picture:



Maintenance and cleaning



Cleaning operations must only be carried out when the drawer is cool.

The appliance should be disconnected from your mains supply before commencing any cleaning process.

- The appliance should be thoroughly cleaned before the first use and after each use. This will avoid food residue inside the appliance.
- When cleaning the appliance interior, you can use a sponge or soft cloth. Do not use a cleaner with an abrasive agent

Please register the warranty for this product on www.Cookology.com

Cookology Limited

Ground floor, 71 Lower Baggot Street, Dublin 2, D02 P593